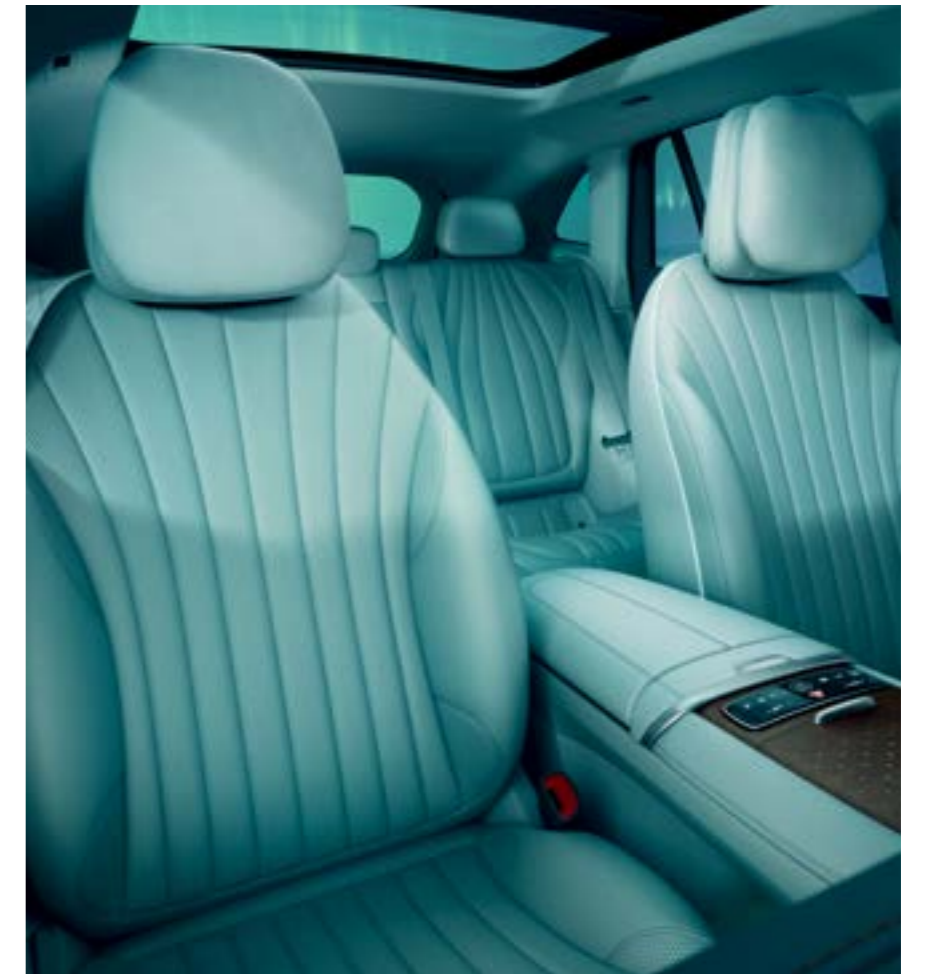
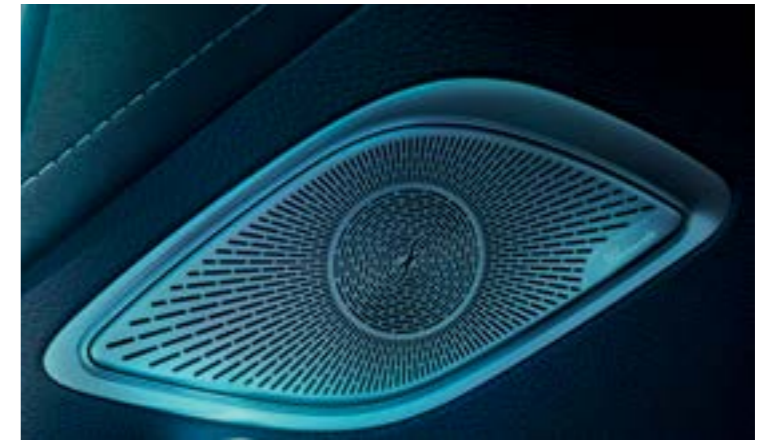


# The EQE SUV



Mercedes-Benz







Take a bolder look.



Go further. Comfortably.



Spacious elegance. Electric luxury.



# Sustainability

## Sustainable Production



### Tuscaloosa plant

The EQ SUV is built at the Mercedes-Benz Tuscaloosa plant in the United States. All of our Mercedes-Benz cars factories around the world plan to be carbon-neutral.

## Sustainable Materials



### Raw materials from certified mining

Mercedes-Benz looks at the entire value chain, from development and the supplier network to its own production. Responsibly mined and processed raw materials provide the foundation for a sustainable Mercedes-Benz electric vehicle fleet.

## Sustainable Mobility



### Pure Electric with pure emotions

Emission-free driving pleasure with virtual silence.



# E-Motor & Battery

\*Please read the disclaimer



## E-Motor & Battery

You can achieve both, dynamic acceleration and efficient cruising, with the two machines of the electric drive system. The 4MATIC, with torque shift, steplessly distributes the torque as required to the front and rear axle depending on the driving situation and road conditions. When you don't demand any drive power from the electric machines, they can convert kinetic energy into electric energy, for example when braking, and use it to charge the high-voltage battery.



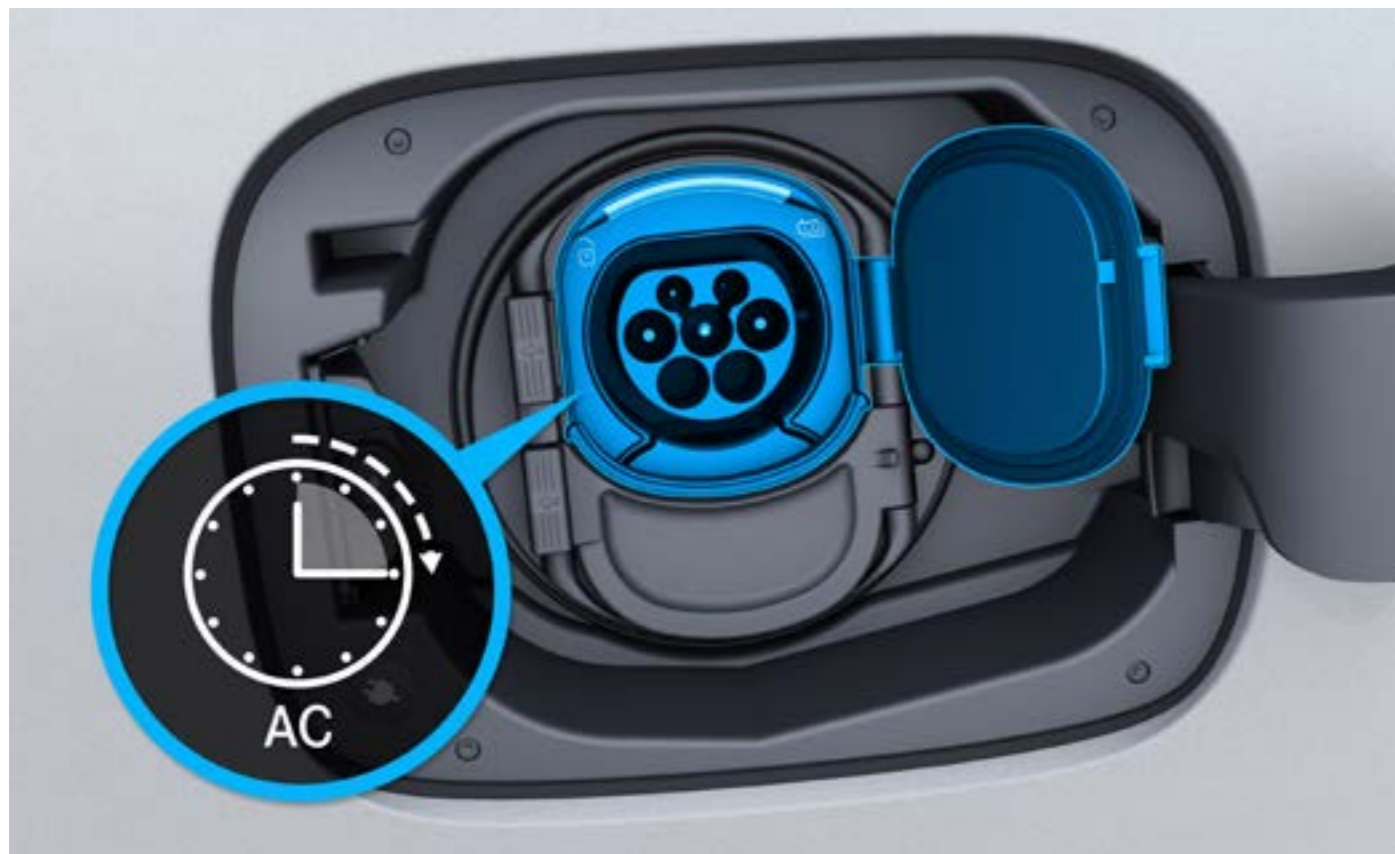


# Charging and Range



## Complimentary Wallbox Charger

Convenience is a true luxury! Now fully charge the EQE SUV while relaxing on the sofa with the Wallbox. With a charging capacity of 11 kW you can charge the EQE SUV from 0% to 100% within 9.5 hours. This is 3 times quicker than at a conventional household socket. After purchase, the Wallbox would be installed by our installation partner at your preferred location at home. With Mercedes-Benz EQE SUV, you also get a complimentary fast charging at all our Franchise Partners, valid till 31<sup>st</sup> December, 2023.



## Alternating current charging system (AC charging)

More flexibility: with the powerful AC charging system you can charge your electric vehicle quickly and simply at up to 11 kW (3-phase). In addition to the wallbox at home, you can also connect your vehicle to a host of public charging stations. These mostly provide alternating current – so just like household sockets.

## Direct current charging system (DC charging)

For optimum charging speed at up to 170 kW and therefore a high level of convenience. Fast charging stations, provide the necessary direct current for your high-voltage battery. Therefore, the direct current charging system makes a range suitable for long journeys available in the shortest time.





# Design



## Electric Art exterior

With the Electric Art exterior, you underline the progressive character of your vehicle to impressive effect: the Black Panel radiator grille is a hallmark feature. Silver chrome trim on the front and rear aprons creates expressive and elegant highlights. In combination with the 20-inch light-alloy wheels, this ensures the car's commanding presence.

## Radiator grille with Mercedes-Benz pattern

Your assurance of an impressive appearance: The Black Panel radiator grille of your vehicle features finely drawn Mercedes stars. Especially when viewed up close, this confirms your attention to detail.



## Digital light

Lighting adapted to the driving situation for relaxed and safe driving: DIGITAL LIGHT constantly adapts the illumination of the road to lighting conditions, traffic situation, course of the road and weather. The HD system works like a projector and calculates lighting accurately down to the last pixel. DIGITAL LIGHT adds intelligent features such as Adaptive Highbeam Assist Plus as well as ULTRA RANGE high beam and topography compensation to the familiar adaptive LED headlamp features. A front light strip elegantly connects the two headlamps.



## Adaptive Highbeam Assist Plus

Drive with permanent main beam. This virtually turns night into day and takes the strain out of driving. See a long way without dazzle – Adaptive Highbeam Assist Plus works according to this motto. The intelligent system excludes oncoming traffic or vehicles in front with highly precise LEDs: you do not need to keep on changing over to low beam.



## Panoramic sliding sunroof

Whether open or closed: the panoramic sliding sunroof gives you a wonderful sense of freedom and a bright and pleasant ambience in the interior. When viewed from the outside, the large sliding sunroof likewise makes a unique visual impression, as it lends lightness and exclusivity to the exterior. Innovative: operation via touch slider.

## Aluminum look, illuminated running boards with rubber studs

A real eye-catching feature is the illuminated, aluminum-finish running boards. They are mounted on the side at the height of the side skirts, thus making it easier for you to get into the front as well as the rear. Slip-resistant rubber studs ensure a firm foothold.





## Mirror package

The Mirror Package makes everyday driving easier: Electrically folding outside mirrors help to protect your vehicle against annoying damage when parking. In addition, getting in and out of the vehicle in the dark is more convenient with the surround lighting. An attractive, eye-catching feature is the projection of the brand logo next to the opened side doors.



## Ambient lighting with projection of brand logo

A function which also appeals to your emotions; a surround lighting projection of the brand logo using LED technology, next to the opened front doors. This not only showcases an attractive eye-catching feature in dark surroundings but the additional light also makes it more convenient for you when getting in and out of your car.

## Electric Art interior

With the Electric Art interior you can experience progressive luxury with all the senses. For the seat covers, for example, there is a choice of high-quality materials such as leather and nappa leather. Ambient lighting and shapely comfort seats with elegant contour lighting create a futuristic lounge ambience.

- Multifunction sports steering wheel in ARTICO man-made leather
- Ambient lighting
- Steering wheel shift paddles and spokes in silver chrome
- Comfort seats with 4-way lumbar support
- Dashboard and beltlines in ARTICO man-made leather
- Brown open-pore magnolia wood trim elements with Mercedes-Benz pattern in aluminium





# Luxury

## Ambient lighting

Showcase the interior according to your personal preferences or current mood. With a total of 64 colours, the ambient lighting gives you almost unlimited choices for lighting schemes, and has the right color available in the program for any situation. It links aesthetics with innovative driver information and extended functions. Wraparound light strips and trim elements amalgamate to form an additional lighting level. This also supports driving assistance systems visually, thus emphasizing the intelligence of your vehicle.



## Leather multifunction sports steering wheel

The elegant leather finish gives the multifunction sports steering wheel an even higher-quality look. It makes it a highlight of the interior. As the driver you enjoy a double benefit: what looks good must also feel good.



## Stowage compartment beneath center console

This storage compartment offers you further storage space. It holds a handbag, a case for spectacles and a small umbrella, for example. In addition, it has 2 extra USB ports. The additional space gained is due to the special design of your vehicle: the all-electric drive concept does not require a transmission tunnel at all.

## Memory Package

With the Memory Package, you can store and select up to 3 different seat positions. In addition, the positions of the steering wheel, exterior mirrors and head-up display are stored. If you have created a user profile, you must activate this on the central display in order to call up your settings.

- Electrically adjustable left and right front seats with memory function
- Electrically adjustable steering wheel and exterior mirror with memory



## Wireless charging system for mobile devices in the front

Driving time becomes charging time – just drop your smartphone into its allotted place in the oddments tray for wireless charging. Irrespective of the model and brand, compatible smartphones are charged wirelessly.



## Center Console

Modern luxury - Instrument panel and center console trim in brown open-pore magnolia wood with Mercedes-Benz pattern in aluminum.



## Flex bottle holder

With the Flex bottle holder your drinks are always to hand and at the same time securely positioned in the center console. The piratical large double cup holder takes 2 bottles with a volume of up to 770 ml.

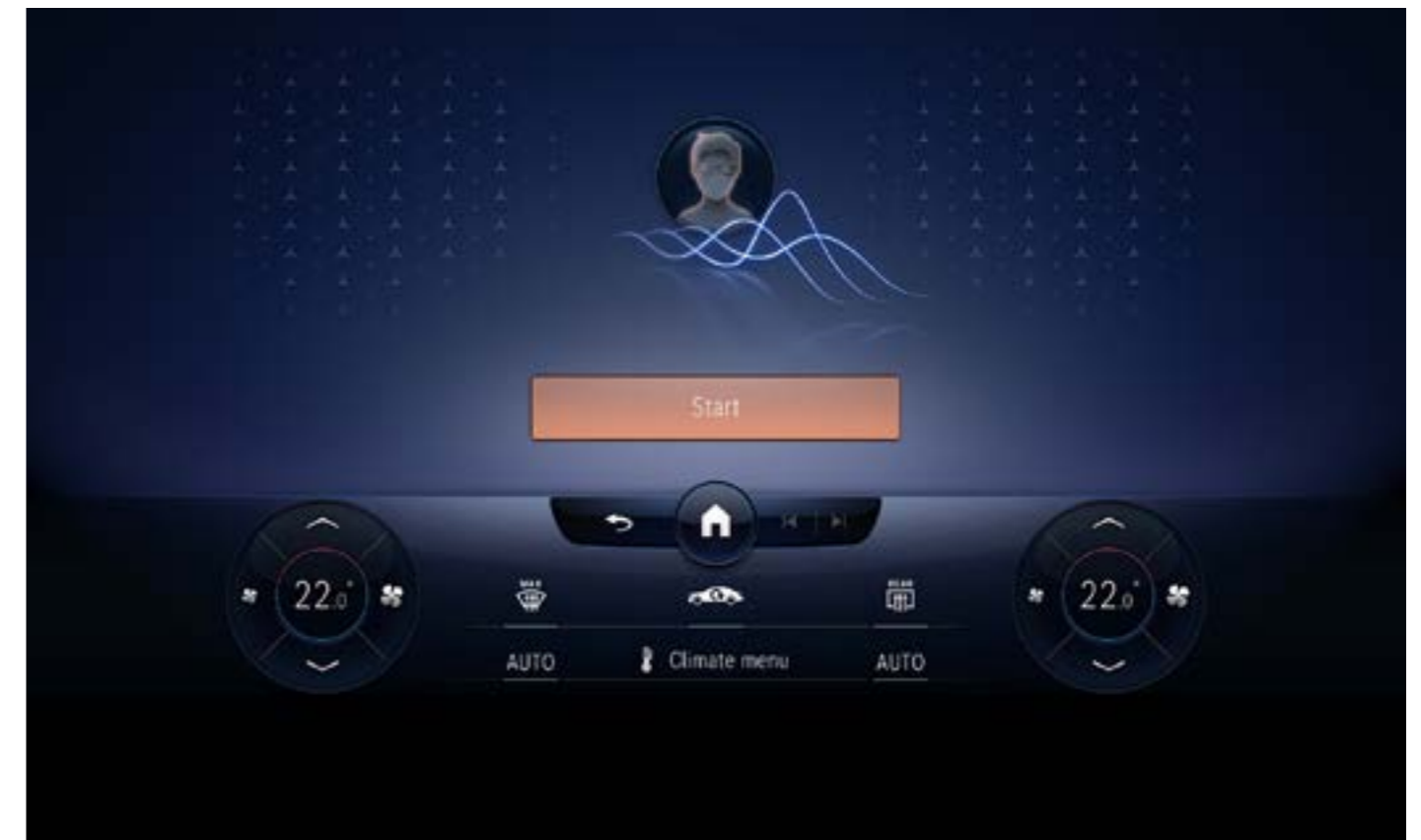
## KEYLESS GO Comfort Package

Maximum comfort for your everyday driving: with the KEYLESS-GO Convenience Package, you can start and lock your vehicle simply by carrying the key. The HANDS-FREE ACCESS function allows contactless, fully automatic opening and closing of the tailgate.



## Burmester® 3D Surround Sound system

Experience more audio performance with exquisite Burmester® sound: the high-quality speakers develop impressive surround sound. With sound personalization, an intelligent algorithm adapts the system to your listening habits. In all, 15 highly precise, high-performance speakers with a system output of 710 watts are fitted. Specially designed Sound Experience in the interior enhances your electric driving experience.



## Sound personalisation

A customised listening experience: personalising the sound system makes it easy to achieve your perfect sound setup. A setup assistant with innovative algorithms identifies your music preferences together with you, and sets the Burmester® sound system to match your requirements. It stores the result in a personal profile.





## EASY-PACK load compartment cover

Protect your luggage from the sun and prying eyes: The EASY-PACK load compartment cover consists of a roller blind fitted behind the rear seats. You can remove this at any time and store it in the compartment provided beneath the load compartment floor.

## Velor floor mats

The velor floor mats further enhance your interior. They are provided in the respective appointments color with matching edging, thus ensuring that they blend perfectly into the interior design. In addition, the mats protect the footwell against soiling – they can be removed in a trice to be vacuumed or cleaned.





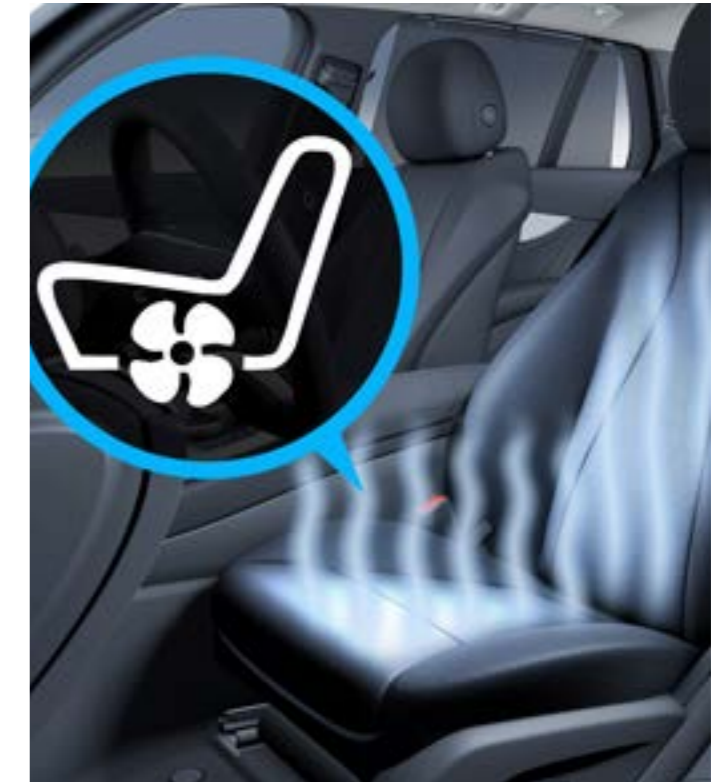
## Comfort Seats



## Folding rear seat backrests



## Multicontour front seats



## Climatised front seats

The name says it all – journeys are particularly comfortable with the comfort seat including a luxury head restraint and elegant contour lighting. The length, height and inclination of the seat surfaces can be adjusted as you wish. The choice of upholsteries and optional comfort functions such as seat climatization or multicontour seats is equally impressive.

Your vehicle can be transformed into a mini van without further ado. If you fold down the center section for longer objects, the two outer seats can still be used without restriction. Individually inflatable air chambers enable a perfectly fitting seating position and intensive lateral support. The pleasant massage effects, some with gratifying warmth, make every journey a treat. The seat climate control system ventilates the front seats and cools them down, thus also controlling humidity. In cooler weather, seat heating quickly brings the seat cushions and backrests up to a pleasant temperature.

## Illuminated door sill panels with “Mercedes-Benz” lettering

Even getting in and out becomes an experience in itself. As part of this, the high-quality stainless-steel sill panels are illuminated with striking “Mercedes-Benz” lettering. This shows that you value modern luxury.





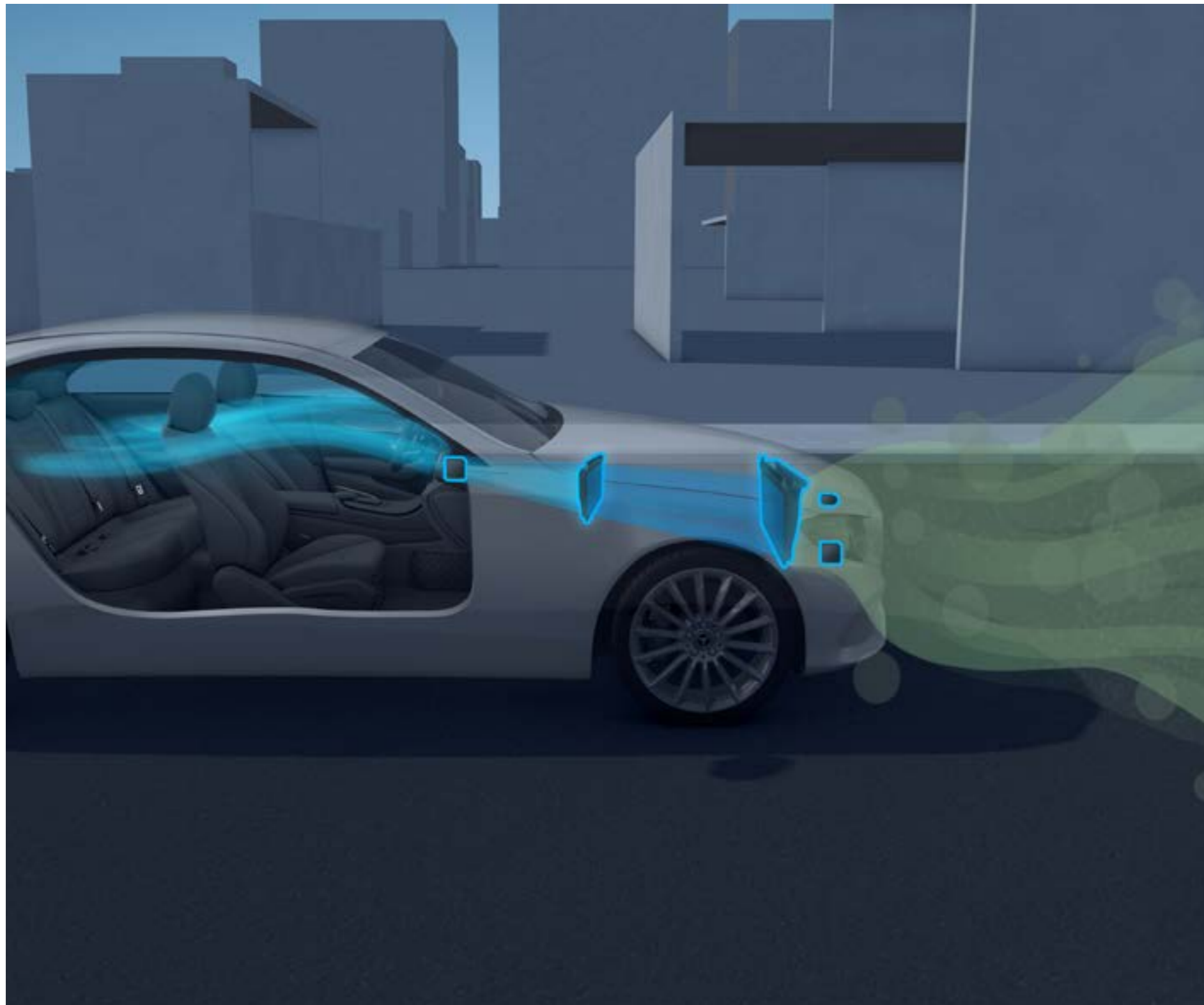
# Technology

## Hyperscreen Package

Enhance your interior with an impressive design feature. As if cast from a single mould, three displays seamlessly blend together beneath a glass panel to create one large MBUX hyperscreen. Brilliant OLED technology enhances your display comfort, while the haptic feedback helps to simplify input on the touchscreen.

- Driver display with 12.3-inch (31.2 cm) screen diagonal, LCD with LED matrix backlighting
- OLED central display with 17.7-inch (44.9 cm) screen diagonal and haptic feedback
- OLED front passenger display with 12.3-inch (31.2 cm) screen diagonal and haptic feedback
- Driver display, OLED central display and OLED front passenger display under a joint, seamless glass cover





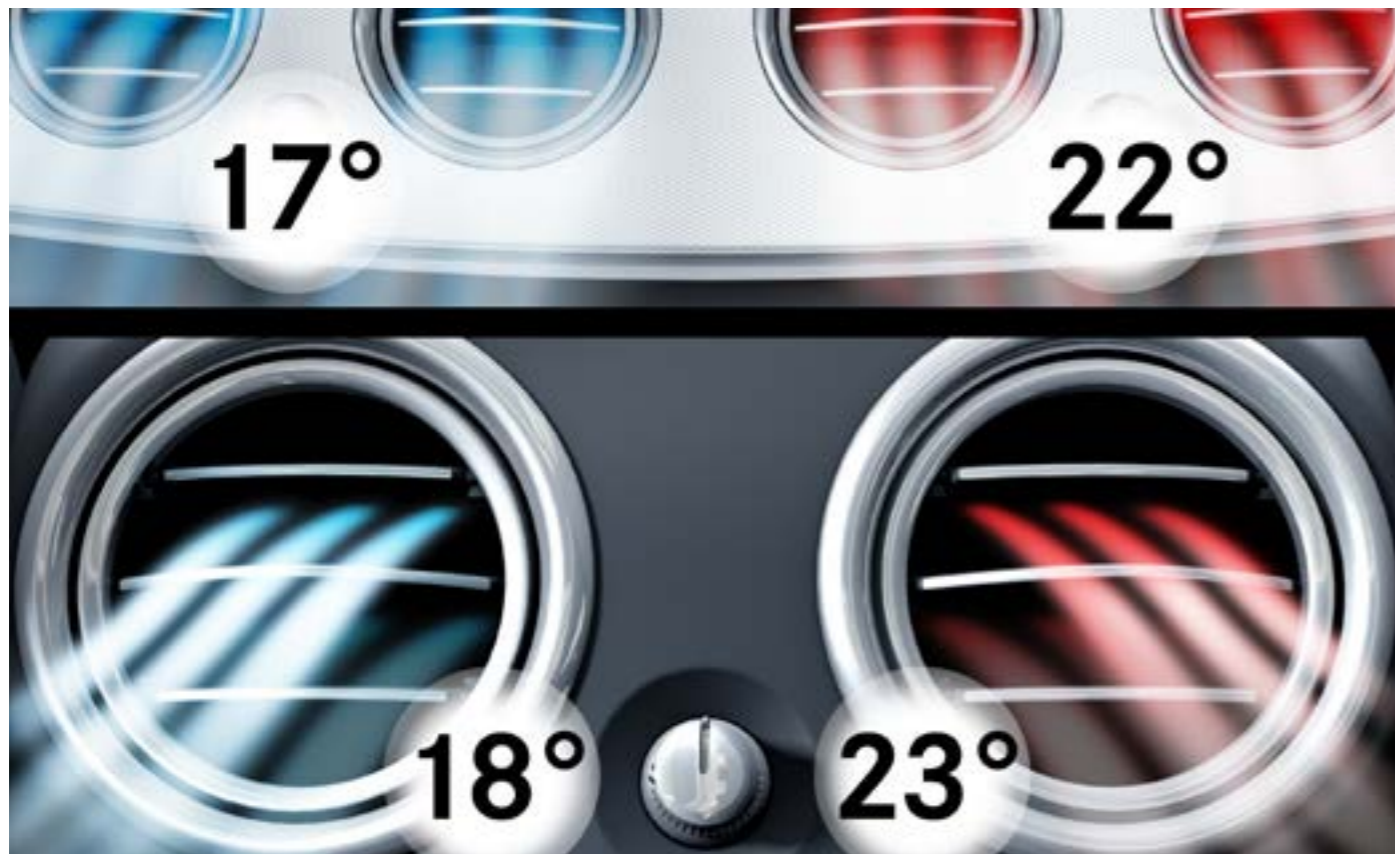
## ENERGIZING AIR CONTROL Plus

A must-have, not just for allergy sufferers: a HEPA filter effectively helps to reduce air pollution. In addition, the ENERGIZING AIR CONTROL Plus monitors the air quality both inside and outside the vehicle and shows you the result in MBUX. Depending on the measurement value, your Mercedes switches automatically between fresh air and air recirculation mode.

- Air quality sensor plus a fine particle sensor (PM2.5) on both the outside and inside
- HEPA fine particle filter of class H13 based on activated charcoal against the finest particulates such as pollen and fine particulates – with a filter performance of up to 99.65%
- Broad-spectrum interior air filter in the air conditioning unit based on activated charcoal with filter layers against fine particles (PM2.5) and nitrogen dioxides (NOx) or sulfur dioxides (SO<sub>2</sub>), certain viruses are reduced directly at the filter
- Antibacterial effect reduces the growth of fungi and bacteria on the interior air filter
- Air quality menu in the MBUX multimedia system to visualize the measurement values

## THERMOTRONIC automatic climate control

The THERMOTRONIC automatic climate control system with 4 climate zones provides an individual feel-good climate on board. The driver and front passenger are able to set the temperature and air distribution to suit their personal needs. The climate control settings can be stored in user profiles.



## AIR BALANCE package

The AIR-BALANCE Package provides an individual fragrance in the interior - in line with your personal preference and mood. Thanks to refreshing ionization and filtering of the outside and interior air, it also helps to ensure improved air quality and a greater sense of well-being.



## DYNAMIC SELECT

Drive as you want to. With DYNAMIC SELECT, you have the choice of ECO, COMFORT, SPORT, INDIVIDUAL and OFFROAD drive programs. Regardless of the drive program, you can set the braking energy recovery rate via the steering wheel gearshift paddles.

## Head-up display

The outlook for sporty driving pleasure and an effortlessly superior driving experience is good: The virtual image is projected into the driver's natural field of vision at a size of 9 x 3 degrees (approx. 60 x 22 cm). That corresponds to a monitor with a diameter of 25 inches, which appears to float above the bonnet at a distance of about 4 metres. The head-up display transforms your windscreen into a digital cockpit. With the virtual, full-colour image, you always have a direct view of key information. Your full attention remains on the road and the traffic situation ahead of you.





## AIRMATIC

The AIRMATIC air suspension offers outstanding ride comfort even on difficult surfaces. The ride height of the vehicle varies in line with the speed. This can increase the range when driving fast. A practical feature: the automatic level control depending on load.

The adaptive damping system responds sensitively to unevenness. It is adjusted separately for each wheel and forms the basis for comfortable, relaxed travel. The sophisticated sensors of the all-round level control system lower the air suspension at higher speeds. The lower center of gravity offers three advantages: It improves the handling stability. It enhances driving dynamics and therefore your driving fun. And it reduces drag and thus can help to increase the range.

- Air suspension struts on the front and rear axles with integrated adaptive damping system
- Automatic level control, depending on the load: Load detection for a constant suspension level
- Chassis level can be raised 25 mm above normal level, automatic lowering at higher speeds



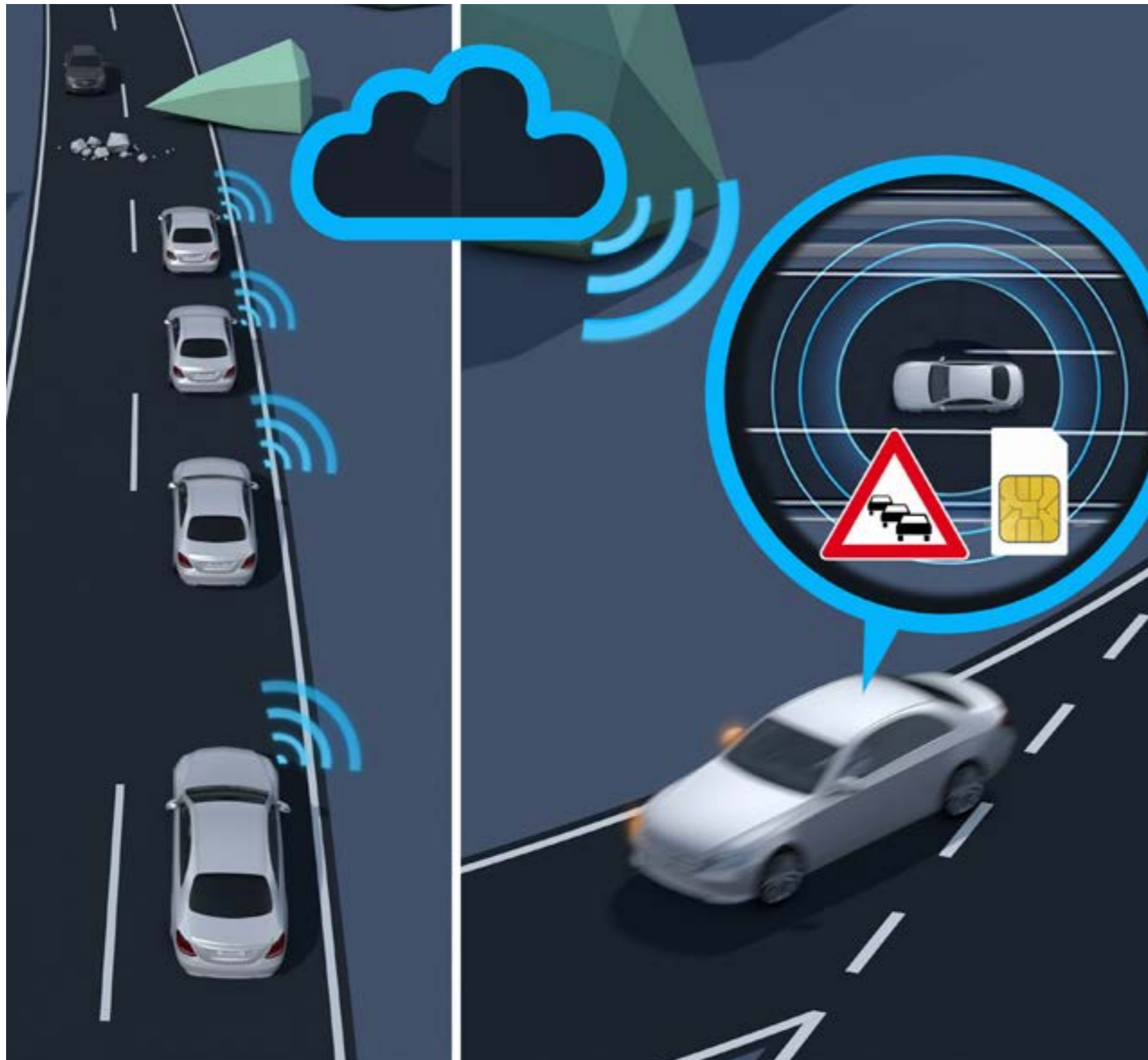
## USB Package Plus

Fast power supply for a smartphone or tablet: You and your passengers can conveniently charge mobile devices at a total of 6 USB-C ports. All onboard USB ports also have a fast-charging capability. Using devices connected in the front, you can also feed data such as your stored music into the multimedia system.



## Hard-disc navigation

Save time thanks to fast hard-disc navigation with flexible options for entries via touch control or voice input. The 3D displays of points of interest, for example, are also a visual delight. The intelligent system guides you reliably to your destination using both local and also up-to-date online information.



## MBUX Navigation Premium

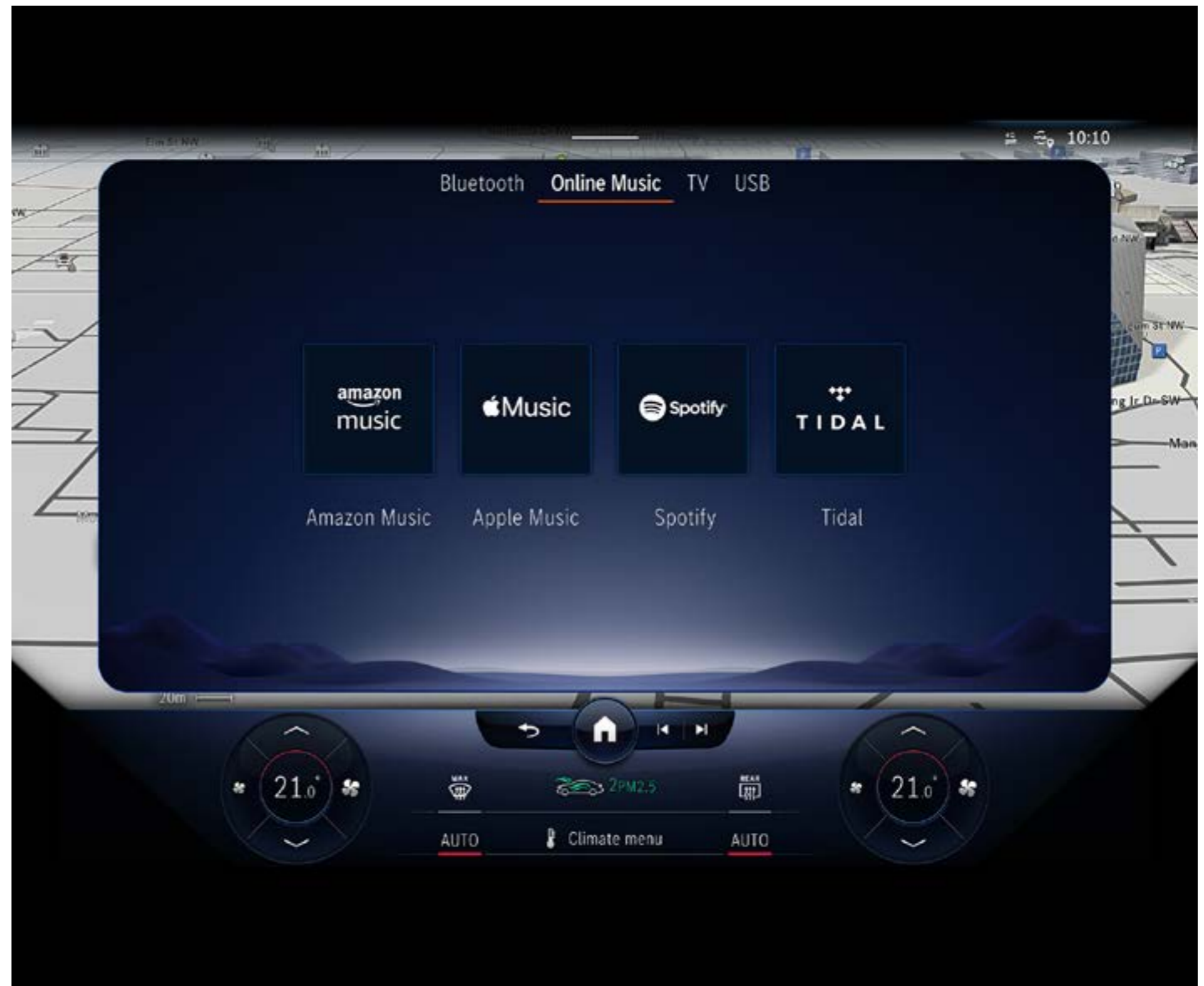
With MBUX Navigation Premium you can reach your destination quickly and well informed. As part of this you can rely on up-to-date map data including satellite view, accurate real-time traffic information and fast online route guidance. And last but not least, intelligently networked functions make your journey safer.

- Hard disk navigation including 3-word address system what3words
- High-resolution navigation with satellite view up to a zoom level of less than 2 km stored in the vehicle - from this level onwards the map sections are downloaded from the cloud
- Live Traffic Information\* and Car-to-X-Communication\*, including display of emergency lanes for emergency vehicles and active warning of the end of traffic jams, can be used free of charge for 7 years after activation
- Fast online route calculation\* with continuously updated traffic information along the entire route, with display and selection of alternative routes, can be used free of charge for 3 years after activation
- Send2Car function\*: sends selected addresses to the vehicle's navigation system via app, e.g., places of interest or restaurants.
- Updating of map data, can be used free of charge for up to 7 years from activation
- Navigation Services, available to use free of charge for 3 years following activation:
  - Local search\*: free search for any desired locations (POIs) and addresses
  - Online search\*: Find and access services and functions via the search field, for example media, radio, Internet results, restaurants, etc.
  - Displays: detailed map view with weather information\* (temperature) and current parking options\* with number of free reported parking spaces, payment options and reservation

## Pre-installation for MBUX Entertainment

Enjoy your favourite music thanks to the pre-installation for MBUX Entertainment. In your vehicle, you have the choice of music streaming services and Internet radio. You can conveniently conclude the required data package via a selected third-party provider. The availability of services may vary.

- Integration of music streaming services (user account required):
  - Spotify
  - Amazon music
  - Apple music
  - TIDAL
  - TuneIn (no user account necessary)
- Enhanced radio information, free of charge for 1 year after activation
- Enhanced radio station tracking, free of charge for 1 year after activation
- Internet Radio
- Third-party comfort data volume, free of charge for 1 year after activation





## Fingerprint scanner

With the fingerprint scanner you can identify yourself quickly and conveniently. This is because your personal data, such as profiles or even office and payment functions, are protected. When you touch the colour-illuminated button, the system unlocks access. This is secure and also more straightforward than entering a PIN.

## Extended MBUX functions

Create an emotional bond – a vehicle becomes your vehicle. Because the extended MBUX functions adapt to you. Say “Hey Mercedes” and MBUX awaits your wishes and keeps learning thanks to an online connection\*. Personal profiles\*, predictive functions\* and a WiFi hotspot completely redefine digital networking.



## Remote and Navigation Services

The world of Mercedes me offers numerous services for your electric driving convenience. The navigation system and Active Range Monitoring give you certainty with respect to range – including necessary charging stops. The route calculation takes current consumption and the course of the route into account and checks whether the desired charging station is available.



\*Please read the disclaimer



## Smartphone integration package

Smartphone Integration connects the mobile phone with the multimedia system wirelessly via Apple CarPlay™ or Android Auto™. This gives you convenient access to the most important apps on your smartphone. You can also use apps from third-party providers such as Spotify quickly and easily.

- Connects the mobile phone wirelessly with the MBUX multimedia system.
- Supports Android Auto™ and Apple CarPlay™
- Display of selected third-party apps
- Access to the latest software and data, e.g., for navigation, traffic information, contacts, messaging, telephony, media, IP radio
- User interface prepared and optimised for driving
- Control of smartphone functions via voice control

## Navigation Services

Wherever you are driving to, you are provided with ideal information. Your vehicle answers your questions about your journey. You can find out about the number of currently available parking spaces or the current weather. This makes planning your trip even easier.

**Show:** View up-to-date information with many details on the map. You are able to see, at a glance, parking options with the number of available spaces or weather symbols with the current temperature.

**Local Search\*:** The “Local Search\*” service allows you to search freely for any location or address. Enter the search term via the multimedia system or simply make use of voice input. After a letter of confirmation, you can navigate directly to your desired destination.

- Display of online content in the navigation map\*, can be used free of charge for 3 years after activation.
- Available parking spaces.
- Weather information.
- Local search\*, can be used free of charge for 3 years after activation





**Mercedes me connect allows drivers to stay in touch with their vehicles from anywhere in the world and to obtain assistance at the touch of a button.**

**Mercedes me**

## Vehicle Monitoring

**Vehicle Tracker:** Track your vehicle from anywhere, as your vehicle's GPS coordinates are seen on your phone App.

**Parked Vehicle Locator:** It can locate your parked vehicle within a radius of 1.5 kilometres and show you on a map how to make your way back to the vehicle.

## Navigation Connectivity package

The combination of the standard-fit communication module (LTE) and the hard-disc navigation makes sure that you always reach your destination as quickly as possible by the best route.

## Vehicle Set-Up

**Remote Retrieval of Vehicle Status:** Information on Mercedes me App or the Mercedes me Portal.

**Remote Door Locking and Unlocking:** You can conveniently remotely lock or unlock your vehicle from the Mercedes me App.

**Speed Alert:** Receive an alert if your vehicle exceeds a certain speed.

**Send2Car function:** Send your address to your vehicle via an app.

## Mercedes-Benz emergency call system

The Mercedes-Benz emergency call system can save you vital minutes in an emergency. If an accident is detected, a communications module with its own SIM card automatically triggers an emergency call which could shorten the time until rescue services arrive.

Please note that certain services are offered free of cost for a period of three (03) years and may be chargeable at the expiry of three (03) years from the date of activation of such services. If you wish to continue using those services, you may renew the same through Mercedes Me Store (as and when it is available). Please get in touch with your preferred Franchise Partner for more details.



# Mercedes me

## Vehicle Finder (enables horn and light flashing)

Find your vehicle in large parking lots with ease. Simply blow the horn or flash the headlamps through the app to locate your vehicle

## Mercedes me Service app: Your digital assistant

Keep a tab on your Star's maintenance with ease. Get timely maintenance and service reminders. Book a service appointment and search for nearest showrooms with a single touch.

What's more, access expert tips to keep your Star in its best shape with car care videos.

## Geo-fencing

Set a perimeter for the car movement and receive notifications in case of vehicle movement beyond the parameter. Hence the feature enables easy monitoring when vehicle is being driven by others.

## Windows/sunroof open close from App

Open/Close the windows and sunroof of your Mercedes-Benz remotely through the app. This enables better ventilation before you get into the car.



# Mercedes me

## Additional Mercedes me connect features

### Alexa Home Integration with Mercedes me

**connect:** Conversations with Alexa are now more fun when the systems connect with your Mercedes Benz via cloud and give you real time updates. This feature can be used from an Alexa Echo device setup at home, office or also from phone's Alexa App. The command starts with "Alexa, Ask Mercedes to..." or directly initiate a command by saying "Alexa, tell Mercedes to <command>".

**Google Home integration with Mercedes me connect:** Google Home integration is also offered for Google home users. In a similar way, once the Mercedes me connect is linked to Google Home, you can start issuing commands.

**Parking location POIs (Points of Interest):** The introduction of new Parking solution, shows Parking lots available across different parts of the cities. The Parking POIs (Points of interest) can be seen easily on the navigation system or alternatively also on the Mercedes me App maps section.

Please note that certain services are offered free of cost for a period of three (03) years and may be chargeable at the expiry of three (03) years from the date of activation of such services. If you wish to continue using those services, you may renew the same through Mercedes Me Store (as and when it is available). Please get in touch with your preferred Franchise Partner for more details.

\*Please read the disclaimer





# Safety



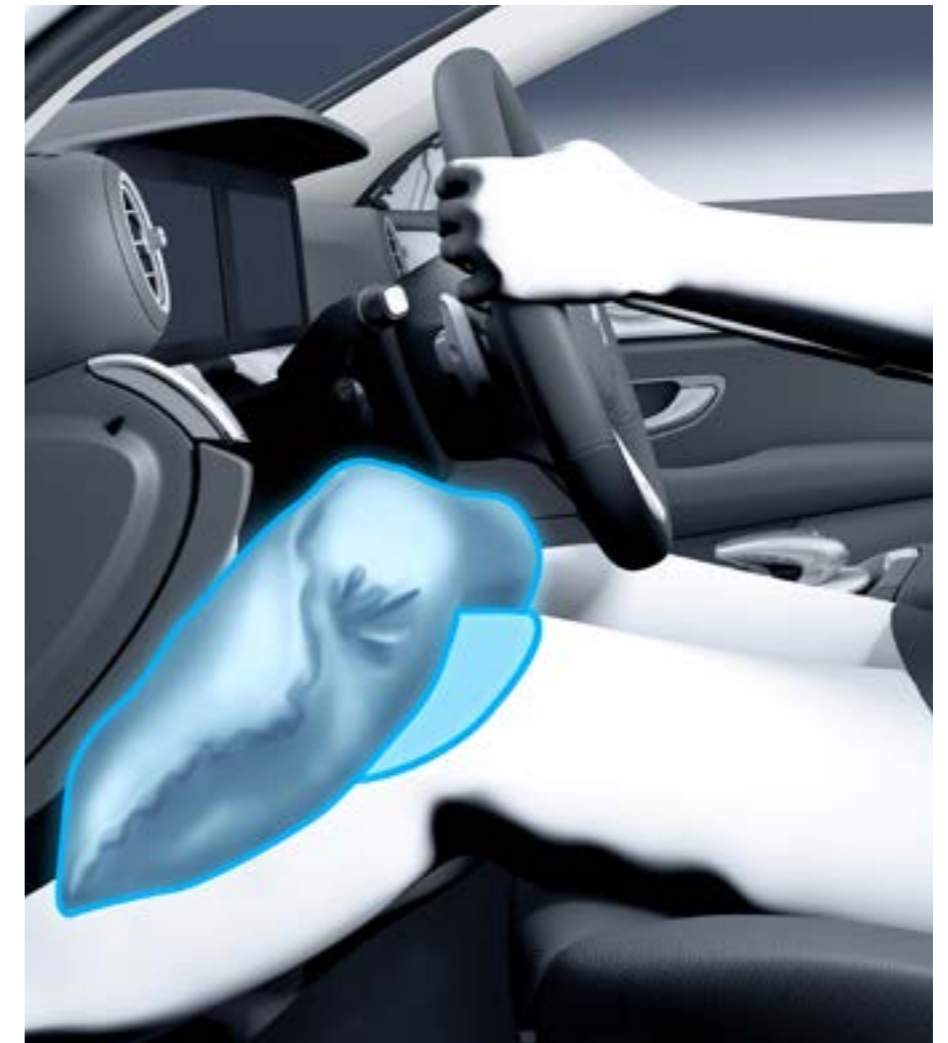
## Window airbags

Windowbags helps to enhance safety: they can reduce the risk of a head impact against the side windows or against penetrating objects. In a severe side collision the respective side windows are extensively covered by the windowbag. Together with other safety systems they can reduce or lessen the severity of injuries.



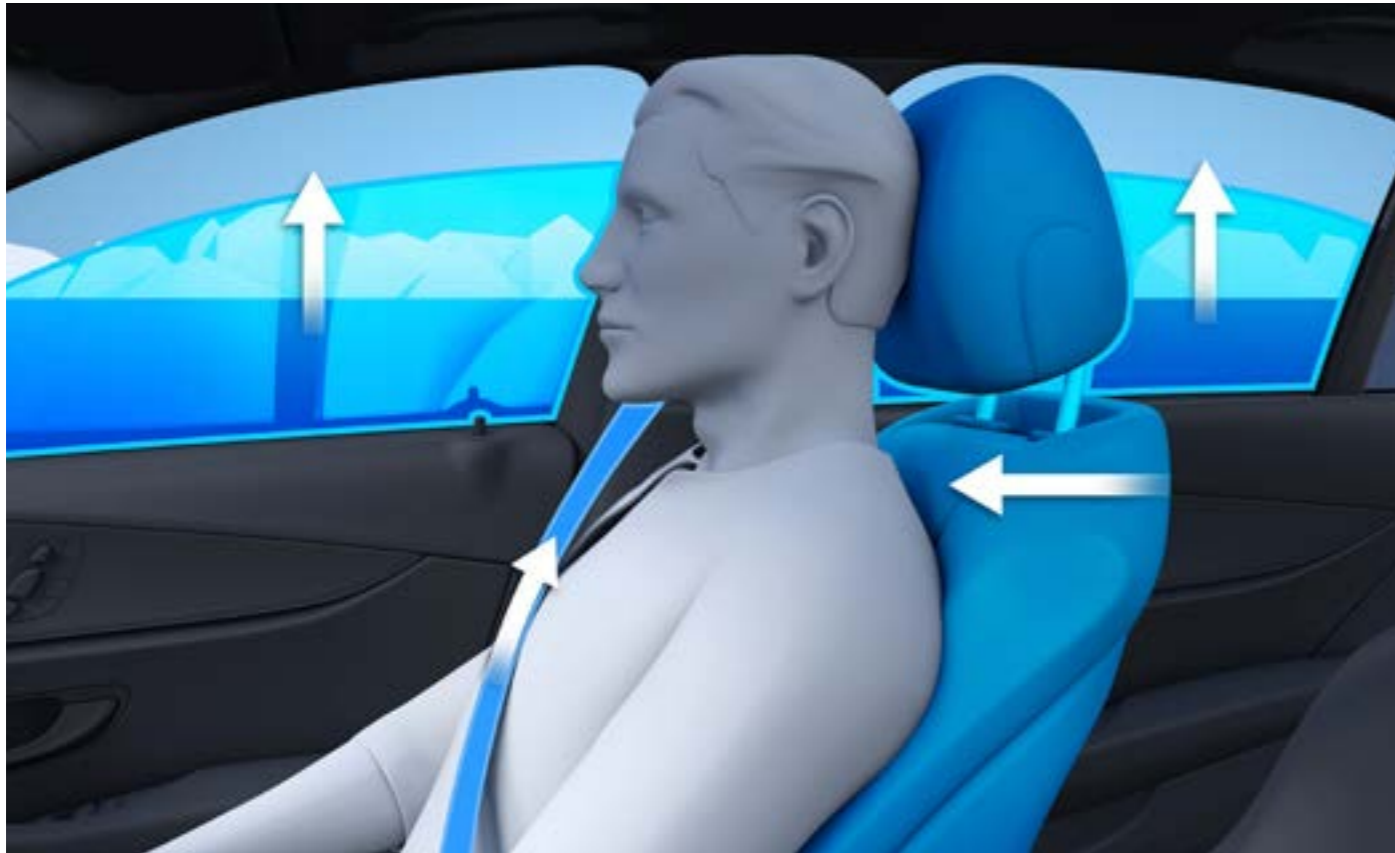
## Sidebags in rear

The sidebags in the rear can protect the chest area of passengers on the outer rear seats in the event of a severe side impact. Together with the standard window airbags, they can help prevent injuries or reduce their severity. To achieve this, air cushions deploy between the door or the side wall trim and the vehicle occupant.



## Knee airbag

The knee airbag protects your legs from contact with the steering column or dashboard in a severe frontal crash. This can prevent or mitigate the severity of injuries. The air cushion inflates in milliseconds and stabilises the whole body. This ensures that the entire restraint system including the seat belt work together optimally.



## PRE-SAFE® system

The PRE-SAFE® system uses the instants before an imminent accident on your behalf. Numerous measures can help reduce the stresses that occur. The innovative PRE-SAFE® Sound generates a noise from the speakers which is able to trigger a natural protective reflex: This can protect the inner ear by dampening the noise of the accident.

## PRE-SAFE® Impulse Side

PRE-SAFE® can prepare the occupants for a side-on collision and reduce the risk of injury. Like a bodyguard, it moves the driver or passenger away from the danger zone and inwards

- Actuators (balloons) for PRE-SAFE® Impulse Side in the driver and front passenger seats
- Radar sensors in the front bumper
- Networking of information from the various control units



## Active Steering Assist

Active Steering Assist offers you tangible added comfort at the wheel: the system can use gentle steering interventions to support you in guiding your vehicle in the center of the lane. This ensures a high degree of stress relief in particular on monotonous routes with a straight or slightly curved carriageway.



## Active Lane Keeping Assist

The Active Lane Keeping Assist is an attentive observer: if you unintentionally leave your lane or get dangerously close to other road users, the system can bring you back into your lane with the help of a steering intervention. If you leave the lane nevertheless, an additional warning follows in the form of steering wheel vibrations.

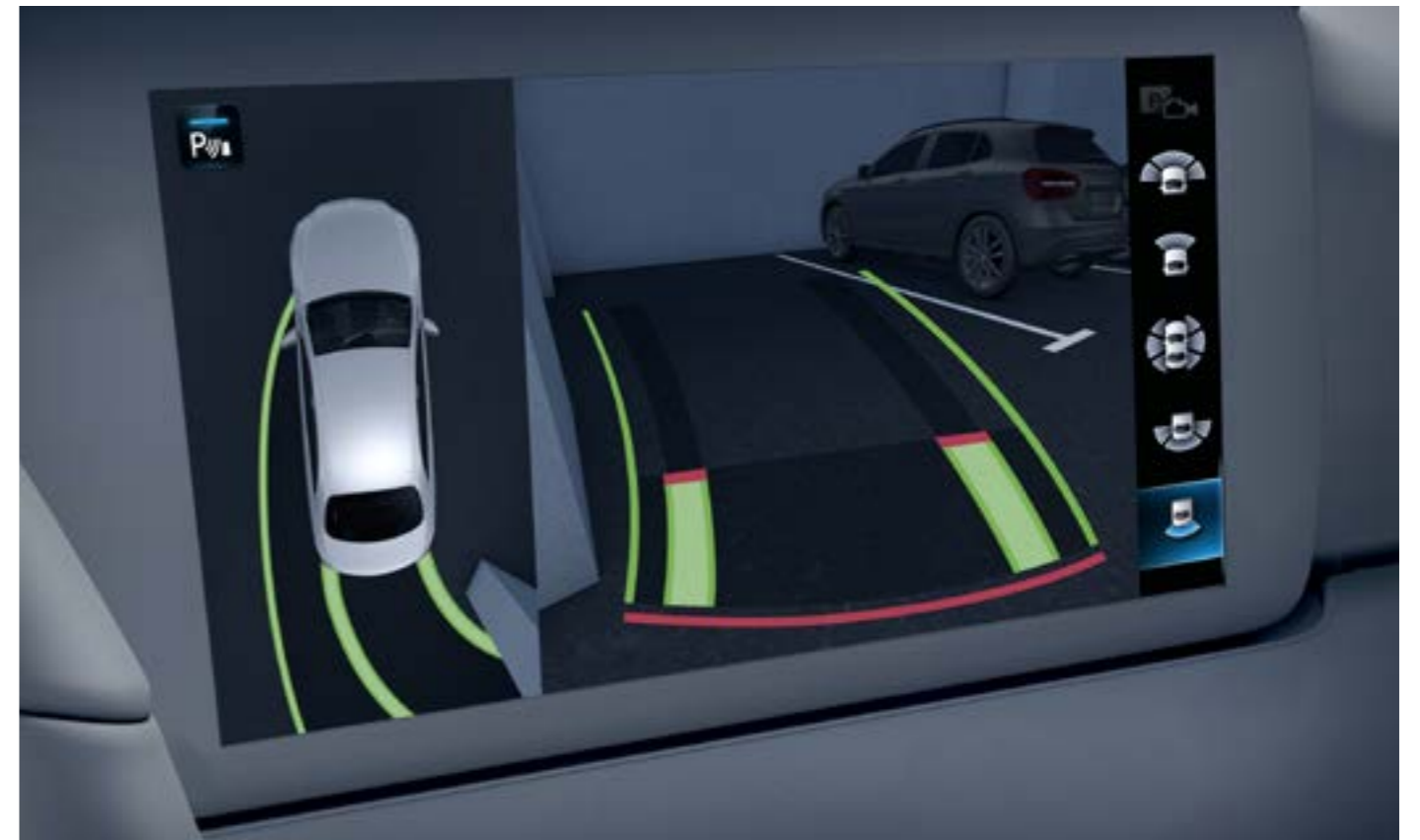


## Transparent bonnet

Maneuver confidently and avoid obstacles safely - even in rough terrain: this function makes the bonnet transparent for you when driving off-road. A virtual view, calculated from camera images, shows the area directly in front of your Mercedes. In addition, a visualization of the lane helps to choose the optimal driving path.

## Parking Package with 360-degree camera

Exclusive parking service with all-round visibility: Active Parking Assist with PARKTRONIC and 360° camera detects available parking spaces and marked parking spaces as you drive past. After selecting a parking space you can park in it effortlessly thanks to dynamic visualization and audible feedback - or have the vehicle parked with assisted parking.



## Live Traffic Information

Arrive at your destination stress-free, via the best route and quicker. Live Traffic Information receives traffic information in real time which is more precise and up to date than conventional systems and optimises dynamic route guidance. Whether in rush hour or when travelling, you can react to many situations and easily avoid traffic jams and stop-and-go traffic.



## Tire pressure monitor

The system monitors the tire pressure for you, and provides you with a warning in the event of a drop in pressure. As a result, you can react more quickly to hazardous situations. Insufficient tire pressure can also result in longer braking distances. When the control system notifies you, you should top up the air quickly. Correct tire pressure also increases the longevity of the tires.





## EASY PACK tailgate

Extremely practical: the EASY-PACK tailgate can be opened and closed electrically and makes loading and unloading the load compartment even more convenient. You can start the opening and closing process very conveniently at the press of a button and interrupt it at any time by pressing the button again.

## Mercedes-Benz emergency call system

The Mercedes-Benz emergency call system can save you vital moments in an emergency. If an accident is detected, a communication module with its own SIM card automatically triggers an emergency call which can shorten the time until the rescue services arrive. Alternatively, an emergency call can be triggered manually to organise assistance.



## Acoustic presence indicator

So that your electric vehicle does not pose a danger to pedestrians and bike riders when driving virtually silently, the acoustic presence indicator generates specific Mercedes-Benz sounds outside of the vehicle up to a speed of approx. 30 km/h. As part of this, it differentiates between driving forward and reversing.



## Active Distance Assist DISTRONIC

Simply set the desired speed. The driver assistance system maintains this speed for you. In normal driving, you then do not have to constantly brake yourself or depress the accelerator pedal if the traffic in front of you requires it. Depending on which drive program you are in, your vehicle accelerates faster or more slowly until it reaches the desired speed. In addition, you can set the desired distance to the vehicle in front in several stages. If an acutely hazardous situation should arise, the functions of Active Brake Assist are there to help you.

# Paintwork

**Obsidian Black - Metallic**



**Sodalite Blue - Metallic**



**Emerald Green - Metallic**



**Velvet Brown - Metallic**



**High-Tech Silver - Metallic**



**Selenite Grey - Metallic**



## Paintwork

**Polar White - Non-Metallic**



**MANUFAKTUR Diamond White Bright**



**MANUFAKTUR Alpine Gray Solid**



## Upholstery



**ARTICO man-made leather - Black / Balao Brown**

(Available with MANUFAKTUR Diamond White Bright, MANUFAKTUR Alpine Grey Solid, High-Tech Silver and Velvet Brown)



**ARTICO man-made leather - Neva Gray / Balao Brown**

(Available with Obsidian Black, Sodalite Blue, Emerald Green, Selenite Grey and Polar White)



## Alloy Wheels

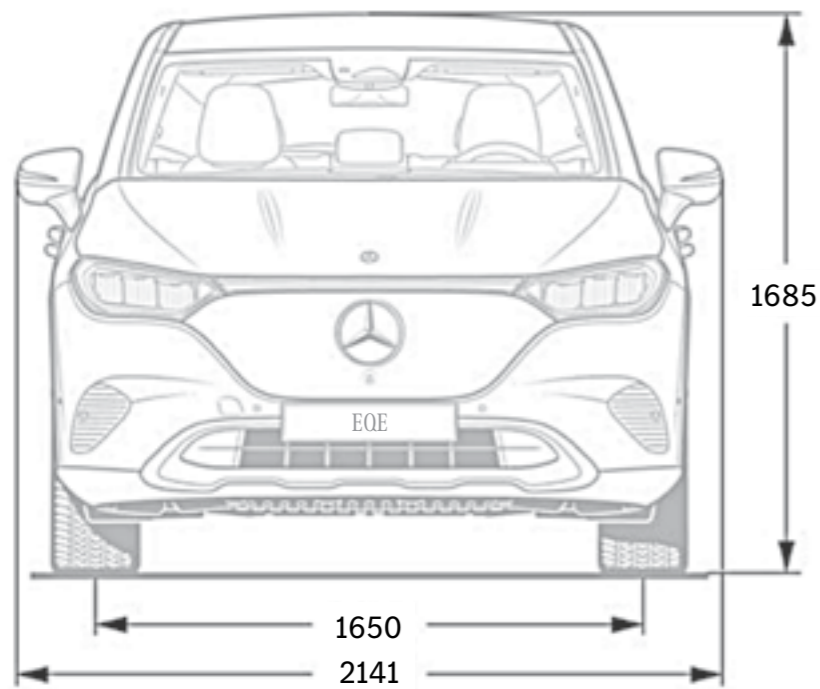
50.8 cm (20-inch) 5-spoke light-alloy wheels, aerodynamically optimised, painted in high-gloss black with a high-sheen finish, with 255/45 R 20 tyres on 8.5J x 20 ET38.5 wheels

## Technical Data

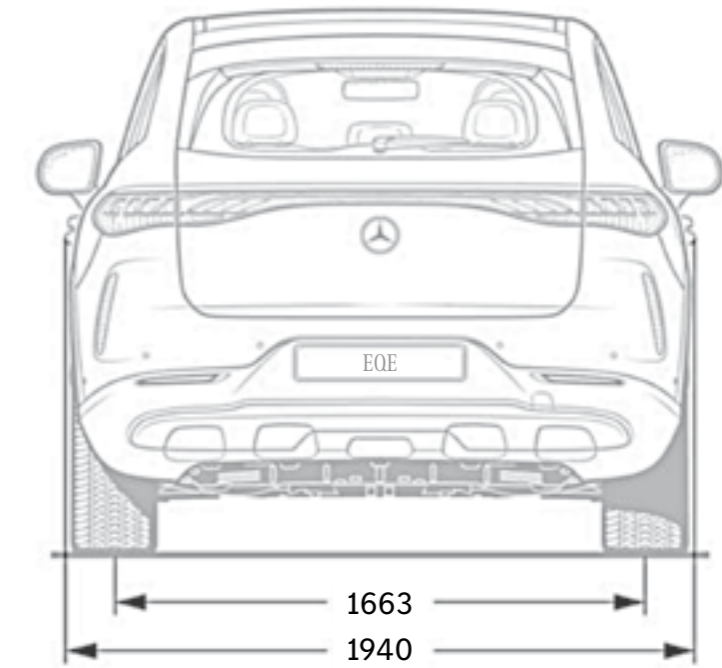
	<b>EQE 500 4MATIC SUV</b>
<b>Battery type</b>	Lithium-ion High-voltage
<b>Electric motors</b>	Two (Front Axle and Rear Axle) Permanently excited synchronous motor (PSM)
<b>Battery capacity</b>	90.56 kWh
<b>Power</b>	300 kW (408 hp)
<b>Torque</b>	858 Nm
<b>On-board charger</b>	11 kW AC
<b>Transmission</b>	Automatic
<b>Acceleration</b>	4.9 sec
<b>Top speed</b>	210 km/h
<b>Fast Charging</b>	32 min (100 kW DC) 10-80%
<b>Wallbox</b>	9.5 hrs (11 kW AC) 10-100%
<b>Range power consumption combined</b>	18.9 - 22.5 kWh/100 km
<b>Electric range*</b>	465 - 550 km
<b>Max DC Charging</b>	170 kW

WLTP - Worldwide Harmonized Light Vehicles Test Procedure.  
\*Under standard test conditions.

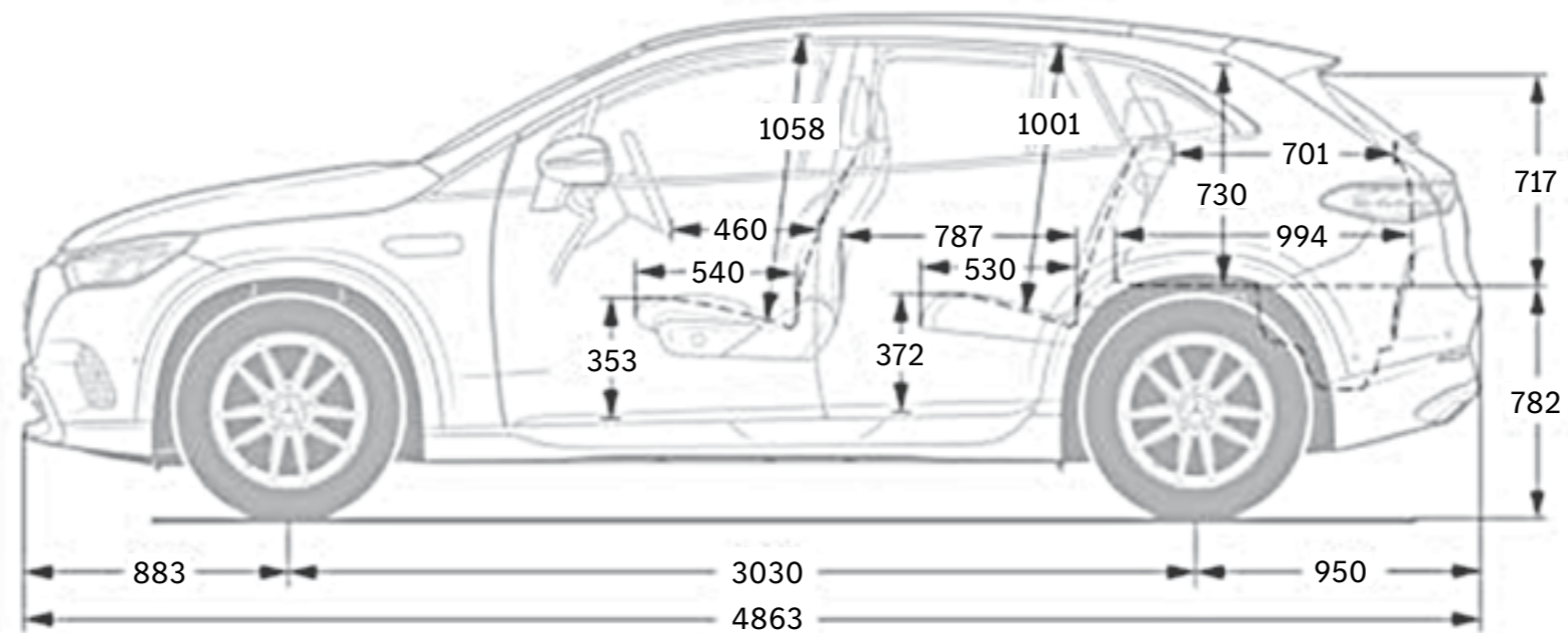
## Dimensions



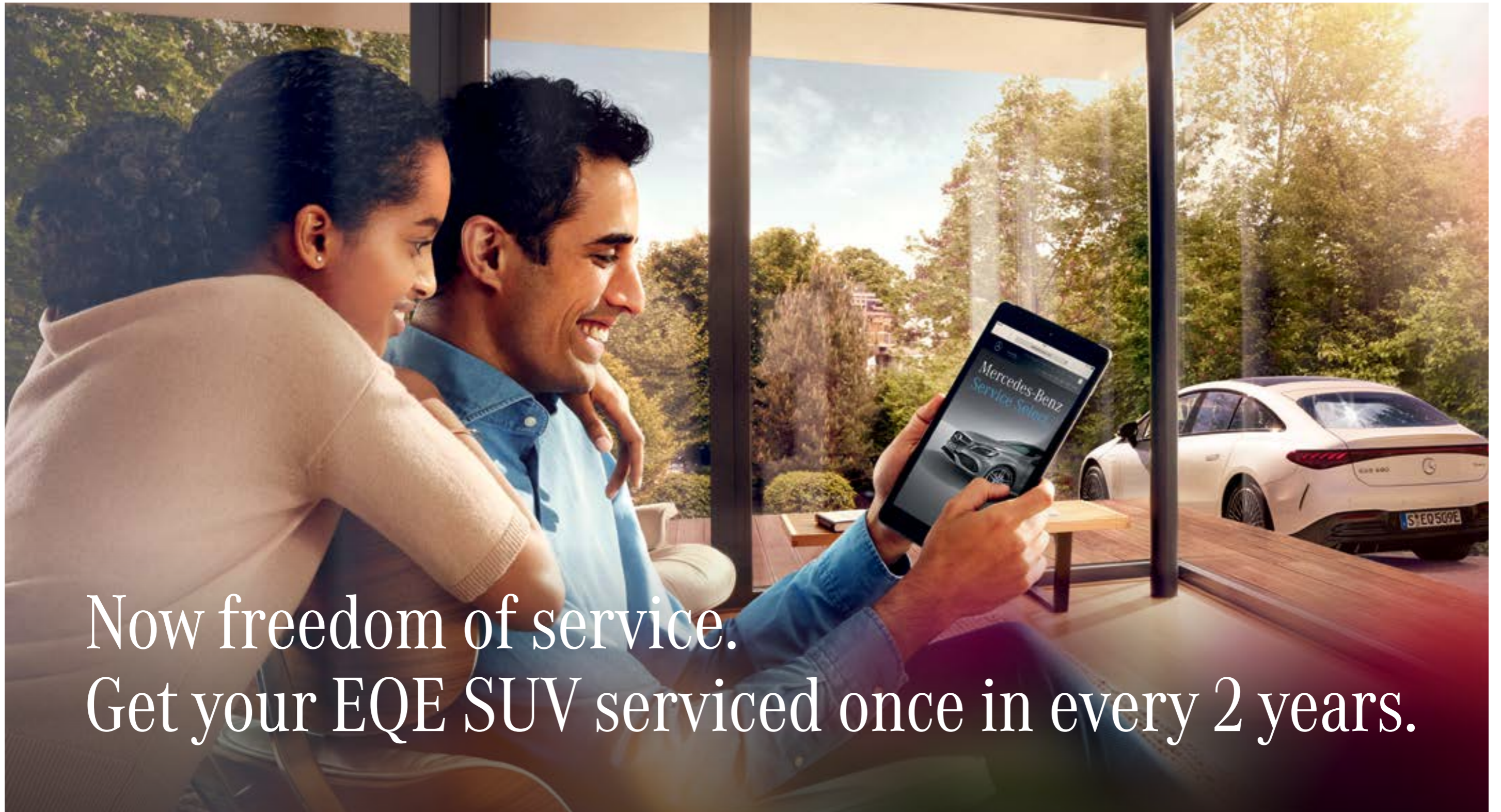
**Rear**



**Side**







Now freedom of service.  
Get your EQE SUV serviced once in every 2 years.

## High Voltage Battery Warranty

The Mercedes-Benz EQE SUV is accompanied by an extensive 10-year warranty, commencing from the date of initial registration or reaching a maximum of 250,000 kilometers driven—whichever comes first.





## Mercedes-Benz Services

### Advance Assurance Program

#### Extending your warranty coverage

With Advance Assurance Program, experience complete peace of mind. While this Extended Warranty Program kicks in the moment your standard 3 years warranty comes to an end, it can be extended further up to 6 years at a nominal price. Also, it comes with a bouquet of privileges for a worry-free time with your Star.

### Star Ease

#### Delivering the best-in-class value

Servicing your Star does not get any better than this. With the STAR Ease Maintenance Packages, pay a defined cost of maintenance based on the model, contract period and mileage and say goodbye to spending on service every time. Plus, enjoy exclusive features like priority handling, shorter waiting time and quicker processes.

## Mercedes-Benz Services

### Mobilo

#### Providing you 24x7 mobility support

Your vehicle comes with Mobilo which provides round-the-clock on-road assistance service. Mobilo comes as a standard for 3 years and can be extended further up to 8 years at a nominal cost. This service offers privileges like vehicle towing facility, replacement vehicle, hotel accommodation, just to name a few.

### Digital Service Drive

#### Ensuring convenience and transparency of service.

Servicing your Star is the last thing you will ever have to worry about. We provide transparent, convenient and hassle-free service. Our customer-friendly service features work around your busy schedule so that you have one less thing to focus upon.





## Mercedes-Benz Services

### Mercedes-Benz Genuine Parts

#### Now with 2 years\* of warranty

Mercedes-Benz Genuine Parts are crafted to the state-of-the-art standards of Mercedes-Benz, protecting your vehicle's performance while maintaining the style, comfort and safety, for the years to come. Also, they come with a warranty of up to 2 years, ensuring you a peaceful ownership experience with your Star.

### Premier Express Prime\*

#### Because we value your time as much as you do.

Life gets busy and so we have designed Premier Express, our vehicle care service to help you get in and out quickly. While the visit will be brief, the service offered by our technicians will be comprehensive and complete. All to ensure your Mercedes-Benz is running for miles to come.

\*Available at selected locations and will be expanded to more locations.

## Mercedes-Benz Services

### Mercedes-Benz Approved Tyres and Alloys

#### Ensuring every ride is a safe and joyful one

Maximise the safety and comfort of your Star with Mercedes-Benz approved tyres and rims. While the Mercedes-Benz approved tyres are designed to optimally match your car's performance, the Mercedes-Benz approved rims are designed to lend an exceptional style to the exterior of your Star and are also engineered for optimal performance.

### Mercedes-Benz Genuine Chemical Products

#### Because your Star deserves nothing but the original

Mercedes-Benz Genuine Chemical Products are specially tested for compatibility with the materials in our cars and meet the high quality standards. Also, our products have been approved under Mercedes-Benz Group AG's strict, self-imposed environmental norms. Now with Mercedes-Benz Genuine Chemical Products, experience a whole new world of superior products that support throughout the car's life cycle.



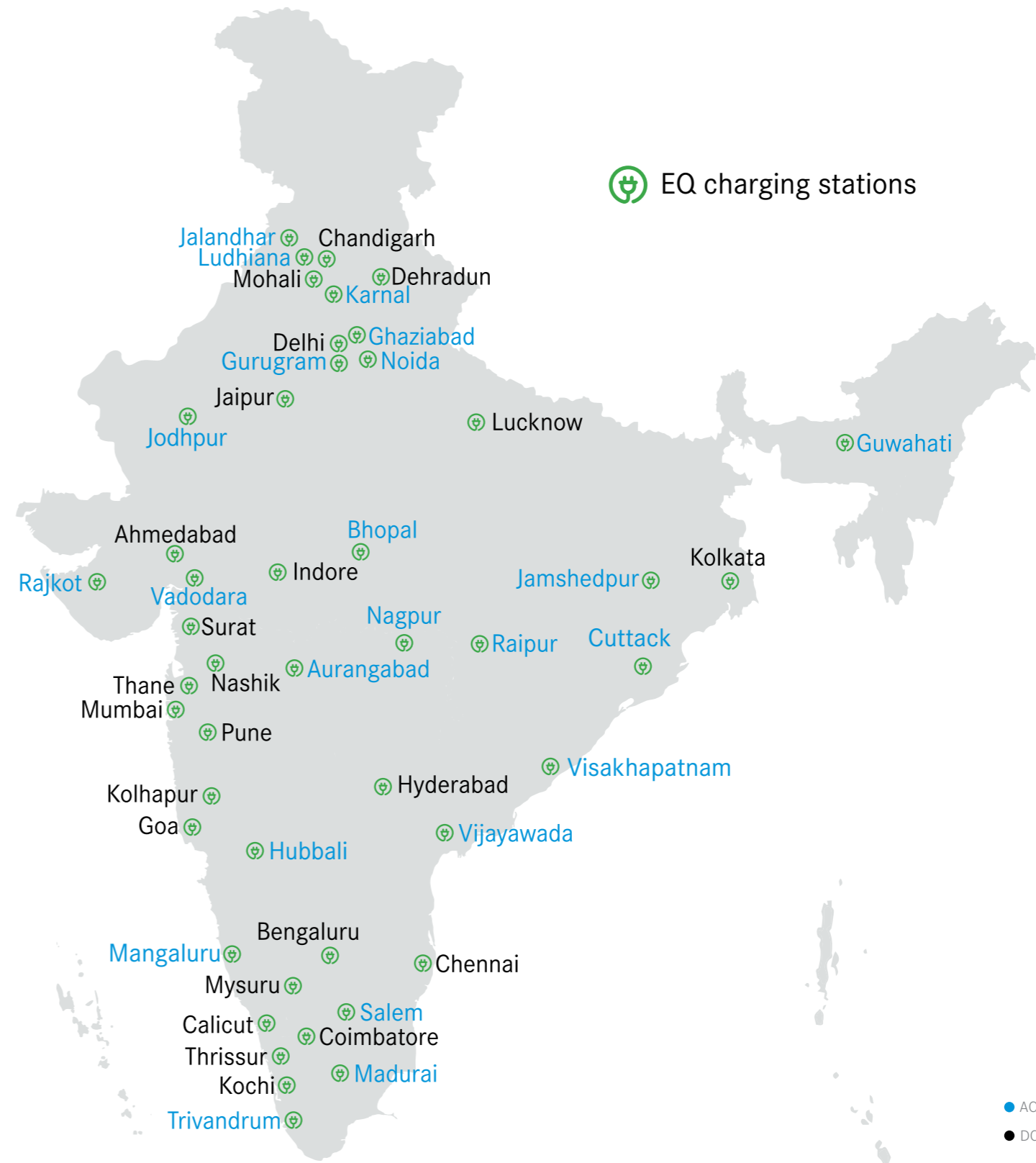
# EQ Charging Stations across Franchise Partners.

## What's in it for you.

Biggest Ultra-Fast charging network in India.  
 Exclusive for Mercedes-Benz Electric Cars.  
 Complimentary service valid till 31<sup>st</sup> December 2023.  
 24 x 7 facility available.

AC Charging System	DC Charging System	
Wallbox	Fast Charging	
100+ locations	36 locations	
11 kW	60 kW	180 kW
	21 locations	15 locations

Your Mercedes-Benz electric car comes with a complimentary Wallbox charger.





Mercedes-Benz India Private Limited: E-3, MIDC Chakan - Phase III, Chakan Industrial Area, Kuruli & Nighoje, Tal: Khed, Pune - 410 501 (India) Toll free No.: 0008000501888. e-mail: cs.ind@cac.mercedes-benz.com, website: www.mercedes-benz.co.in Please note: This brochure is intended for general information, description and illustration of the Product including optional functions and equipment and may not be specific to a Product since specification of a product may change from time to time. Optional features, functions and equipment etc. may not be present in the Standard or Variant Product or Special Edition Product. Further, Standard specifications of a product may also vary from time to time. Colours may differ from those shown in pictures in the brochure. Mercedes-Benz India reserves the right to make changes without prior notice, in design, colours, materials, components, equipment, specifications, features, functions, make and models etc. The information given in this brochure shall be regarded as accurate at the time of launch and may vary thereafter due to any developments or any other reason. Interested customers should reach out to the Authorised Franchise Partner for further information on the exact specifications, features of the product.

Images shown are for representation purposes only. Some of the vehicles in the Brochure are left hand drive wheel. However, Mercedes-Benz India only manufactures and sells vehicles as per the applicable motor vehicle regulations in India. All vehicles sold by Mercedes-Benz Authorized Franchise Partners shall be with right hand drive wheels only. All title, ownership rights and intellectual property rights in and relating to this brochure/magazine or publication material or any copies thereof including but not limited to copyright, logos, names, trademarks, service marks, design, text, images, links, concepts and themes are owned by Mercedes-Benz Group AG and/or its subsidiaries collectively or used under authorised license by the Mercedes-Benz Group AG. Any reproduction, transmission, publication, performance, broadcast, alteration, license, creation of derivative works or other use in whole or in part in any manner without the prior written consent of Mercedes-Benz India Pvt. Ltd is strictly prohibited. Please note that certain services are offered free of cost for a period of three (03) years and may be chargeable at the expiry of three (03) years from the date of activation of such services. If you wish to continue using those services, you may renew the same through Mercedes Me Store (as and when it is available). Please get in touch with your preferred Franchise Partner for more details. Mercedes-Benz cars: The EQE 500 4MATIC SUV meets Bharat Stage VI equivalent emission norms. CIN - U34102PN1994PTC083160