

# The New Mercedes-Benz S-Class.



Mercedes-Benz





## Cares for what matters.

The new Mercedes-Benz S-Class stands for poised assurance and responsibility. A personality with a sense of awareness that is there for you at every level, working with you and thinking ahead, always with your wellbeing at heart. A partner that you can rely on and in which you can confidently put your trust. Get on board.

\*Please read the disclaimer.

## Modern aesthetics and generous luxury in ideal harmony.

Reduced to the essentials. The exterior design, the design idiom of sensual purity in its most contemporary form. In profile with perfect proportions, flush door handles and new wheels. The distinctive front section with pioneering DIGITAL LIGHT headlamps and the tail end with two-section lamps, emphasising the car's width.

## An interior to inspire.

The new S-Class blends exquisite materials with fine surfaces and a progressive design. A showcasing of high-tech features and infotainment with intuitive operation. With the 64 colours of the ambient lighting, exciting colour schemes are created which can alternate dynamically or illuminate areas in different colours.



## Always ready for you.

Extended intelligent safety systems such as the Driving Assistance Package offer maximum comfort and convenience, while also engendering added trust. The new headlamp technology DIGITAL LIGHT also points in this direction.

## Wellness at the touch of a button.

The new S-Class sedan combines a wide range of fine materials with fine surfaces. Innovative technology and high-resolution screens give it a progressive character. In addition, there is the staging of high-tech and infotainment with a user-friendly architecture.

\*Please read the disclaimer.

# The Mercedes-Benz S-Class remains beyond compare.

The new Mercedes-Benz S-Class is on the road to the future with the ultimate in driving refinement. The expressive design, unique convenience and safety technologies, the pioneering digital cockpit with the infotainment system MBUX as well as luxurious materials enable a driving experience the like of which has never been seen before in a car.





## Something special. On every trip, from any angle. With the Fit & Healthy features.

Not just a means of arrival at your destination, the new S-Class is a thoughtful companion through your journey. The Fit & Healthy features understand, motivate and guide to keep you in the prime of your health while driving. Get ready to elevate your driving experience with a car that cares.

[10 massage functions](#) | [Visual display in OLED screen](#) | [New Ambient lighting](#) | [Hey Mercedes](#) | [Seat construction & Lumbar support](#) | [Panoramic sunroof](#) | [Active park assist](#) | [THERMOTRONIC AC with charcoal filter](#) | [Long wheel base](#) | [Chauffeur package](#) | [Rear reclining seats](#) | [Rear electrically adjustable memory seats](#)





## Engine

### Diesel

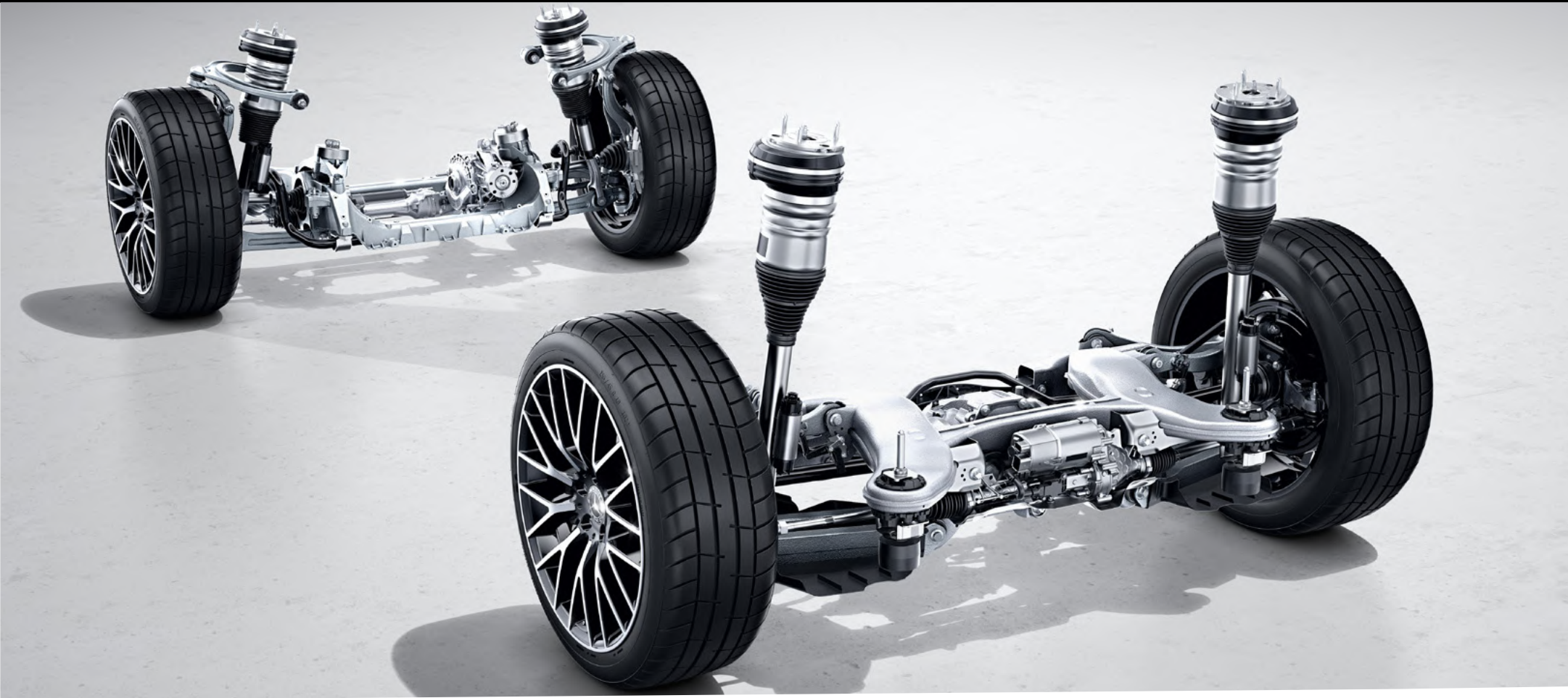
#### S 350d – OM 656 Engine

The most powerful diesel engine in the history of Mercedes-Benz bundles the most modern technology modules. The engine thus sets a benchmark in terms of agility and fuel consumption. More than an additional bonus: the in-line six-cylinder runs unsurpassedly cultivated.

### Petrol

#### S 450 4MATIC - M256 engine

Consistently electrified, overwhelming driving experience - the 48-volt on-board network feeds electricity consumers and operates the integrated starter generator (ISG) with boost function, among other things. In overrun mode, the ISG feeds more than 80 percent of the energy back into the battery. More than a bonus: the smoothness of six cylinders in line.



## AIRMATIC Suspension

AIRMATIC combines the advantages of several suspensions in one – choose between comfort and dynamism. The set-up range is particularly impressive. The air suspension provides outstanding ride comfort even on difficult surfaces or during powerfully sporty performance. Practical: the level control system based on the vehicle load.

\*Please read the disclaimer.



## Exteriors

### Your S-Class, at a glimpse

State-of-the-art technology, a high level of comfort and exceptional luxury - this is what the Mercedes-Benz S-Class stands for. It already shows this claim with its refined equipments. Examples of this are the driver assistance package and Digital Light. The interior with leather seats, ambient lighting and MBUX infotainment is also in line with the status quo.

- Radiator trim with chrome edging and three horizontal cross struts in chrome with inlays in black high-gloss
- Front apron, side skirts and rear apron with chrome inserts
- Chrome tailpipe trims integrated into the rear apron
- 48.3 cm (19 inch) light alloy wheels in a multi-double spoke design,
- MBUX Navigation Premium
- 32.5cm (12.8 inch) OLED central display
- Upholstery in Black, Sienna Brown or Macchiato Beige
- Trim in Decorative elements wood poplar anthracite open-pore

\*Please read the disclaimer.



## Exteriors

### DIGITAL LIGHT

With DIGITAL LIGHT you can experience ideal lighting conditions – optimally adjusted to other road users and the surrounding conditions. DIGITAL LIGHT integrates the functions familiar from MULTIBEAM LED: including city light, motorway light and motorway high beam, cornering light, junction light, roundabout light and bad weather light. In addition, the ULTRA RANGE high beam is available. This additional high beam switches on automatically when: the automatic high beam is activated, no other road user has been detected, the lane is straight and you are driving faster than 40 km/h.

### Panoramic sliding sunroof

Whether open or closed, with the panoramic sliding sunroof you experience a wonderful feeling of freedom and enjoy a pleasantly bright ambience in the interior. When viewed from the outside, the large sliding sunroof likewise makes a unique visual impression, as it lends lightness and exclusivity to the interior. Innovative: control via touch slider.

\*Please read the disclaimer.



## Exteriors

### **KEYLESS-GO with seamless doorhandles**

With KEYLESS-GO the search for keys is over. As soon as the convenience system detects your key in the immediate vicinity of the vehicle, the flush door handles extend automatically. When you drive off or lock the doors, they retract and are elegantly integrated into the side design - a clear technical and visual advantage for you.

The electronic vehicle key communicates with the vehicle in the immediate vicinity of the door, the system extends the flush-mounted handles and unlocks the vehicle when a hand touches the door handle.

\*Please read the disclaimer.

# Mercedes me

Mercedes me connect allows drivers to stay in touch with their vehicles from anywhere in the world, and to obtain assistance at the touch of a button.

## Vehicle Monitoring

**Vehicle Tracker:** Track your vehicle from anywhere, as your vehicle's GPS coordinates are seen on your phone App.

**Parked Vehicle Locator:** It can locate your parked vehicle within a radius of 1.5 kilometres and show you on a map how to make your way back to the vehicle.

## Vehicle Set-Up

**Remote Retrieval of Vehicle Status:** Information on Mercedes me App or the Mercedes me Portal.

**Remote Door Locking and Unlocking:** You can conveniently remotely lock or unlock your vehicle from the Mercedes me App.

**Speed Alert:** Receive an alert if your vehicle exceeds a certain speed.

**Send2Car function:** Send your address to your vehicle via an app.

## Navigation Connectivity package

In combination with the standard-fit communication module (LTE) and the hard-disc navigation makes sure that you always reach your destination as quickly as possible by the best route.

## Mercedes-Benz emergency call system

The Mercedes-Benz emergency call system can save you vital minutes in an emergency. If an accident is detected, a communications module with its own SIM card automatically triggers an emergency call which can shorten the time until the rescue services arrive.



Please note that certain services are offered free of cost for a period of three (03) years and may be chargeable at the expiry of three (03) years from the date of activation of such services. If you wish to continue using those services, you may renew the same through Mercedes Me Store (as and when it is available). Please get in touch with your preferred Franchise Partner for more details.

\*Please read the disclaimer.

# Mercedes me

The all-new Mercedes me app. With a redesigned user interface, simpler navigation and enhanced features.

## Geo-fencing

Set a perimeter for the car movement and receive notifications in case of vehicle movement beyond the parameter. Hence the feature enables easy monitoring when vehicle is being driven by others.

## Windows/sunroof open close from App

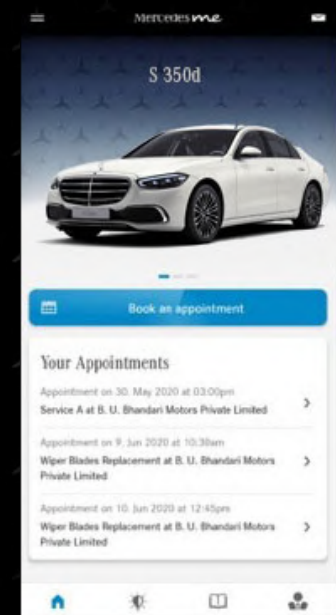
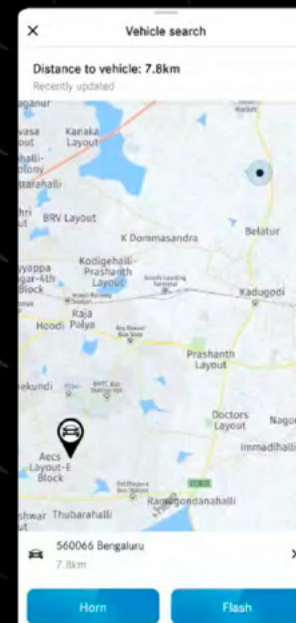
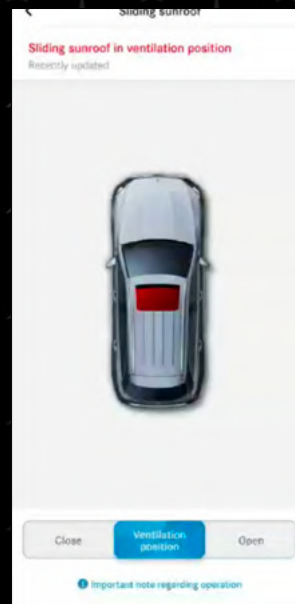
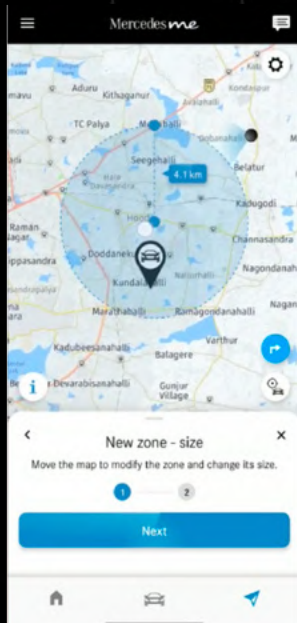
Open/Close the windows and sunroof of your Mercedes-Benz remotely through the app. This enables better ventilation before you get into the car.


## Vehicle Finder (enables horn and light flashing)

Find your vehicle in large parking lots with ease. Simply blow the horn or flash the headlamps through the app to locate your vehicle

## Mercedes me Service app: Your digital assistant

Keep a tab on your Star's maintenance with ease. Get timely maintenance and service reminders. Book a service appointment and search nearest showrooms with a single touch. What's more, access expert tips to keep your Star in its best shape with car care videos.



 The expected 'over the air' release for these new features will happen soon. Post OTA update in car, features would be visible in the all-new Mercedes me 2020 App.

Please note that certain services are offered free of cost for a period of three (03) years and may be chargeable at the expiry of three (03) years from the date of activation of such services. If you wish to continue using those services, you may renew the same through Mercedes Me Store (as and when it is available). Please get in touch with your preferred Franchise Partner for more details.

\*Please read the disclaimer.

# New Mercedes me connect feature - Car-to-X Communication

Drive with foresight and safely thanks to networked information.

When driving, an uneven surface suddenly appears behind a curve and you can barely prevent a jerk. Everyone has probably already experienced confusing situations of this kind - a great risk in road traffic. Thanks to Car-to-X Communication, you can see such dangers coming and react in good time. Vehicles equipped with the technology communicate with each other, so that on the one hand information is transmitted to your vehicle and on the other hand you also inform other drivers yourself. You will be warned by marking on the navigation map and, if necessary, by an announcement. In this way you will reach your destination safely - without nasty surprises.



Please note that certain services are offered free of cost for a period of three (03) years and may be chargeable at the expiry of three (03) years from the date of activation of such services. If you wish to continue using those services, you may renew the same through Mercedes Me Store (as and when it is available). Please get in touch with your preferred Franchise Partner for more details.

\*Please read the disclaimer.



## Additional Mercedes me connect features

**Alexa Home Integration with Mercedes me connect:** Conversations with Alexa are now more fun when the systems connect with your Mercedes Benz via cloud and give you real time updates. This feature can be used from an Alexa Echo device setup at home, office or also from phone's Alexa App. The command starts with "Alexa, Ask Mercedes to..." or directly initiate a command by saying "Alexa, tell Mercedes to <command>".

**Google Home integration with Mercedes me connect:** Google Home integration is also offered for Google Home users. In a similar way, once the Mercedes me connect is linked to Google Home, you can start issuing commands.

**Parking location POIs (Points of Interest):** The introduction of new Parking solution, shows Parking lots available across different parts of the cities. The Parking POIs (Points of interest) can be seen easily on the navigation system or alternatively also on the Mercedes me App maps section.



Please note that certain services are offered free of cost for a period of three (03) years and may be chargeable at the expiry of three (03) years from the date of activation of such services. If you wish to continue using those services, you may renew the same through Mercedes Me Store (as and when it is available). Please get in touch with your preferred Franchise Partner for more details.

# Hey Mercedes

## MBUX features in the new S-Class

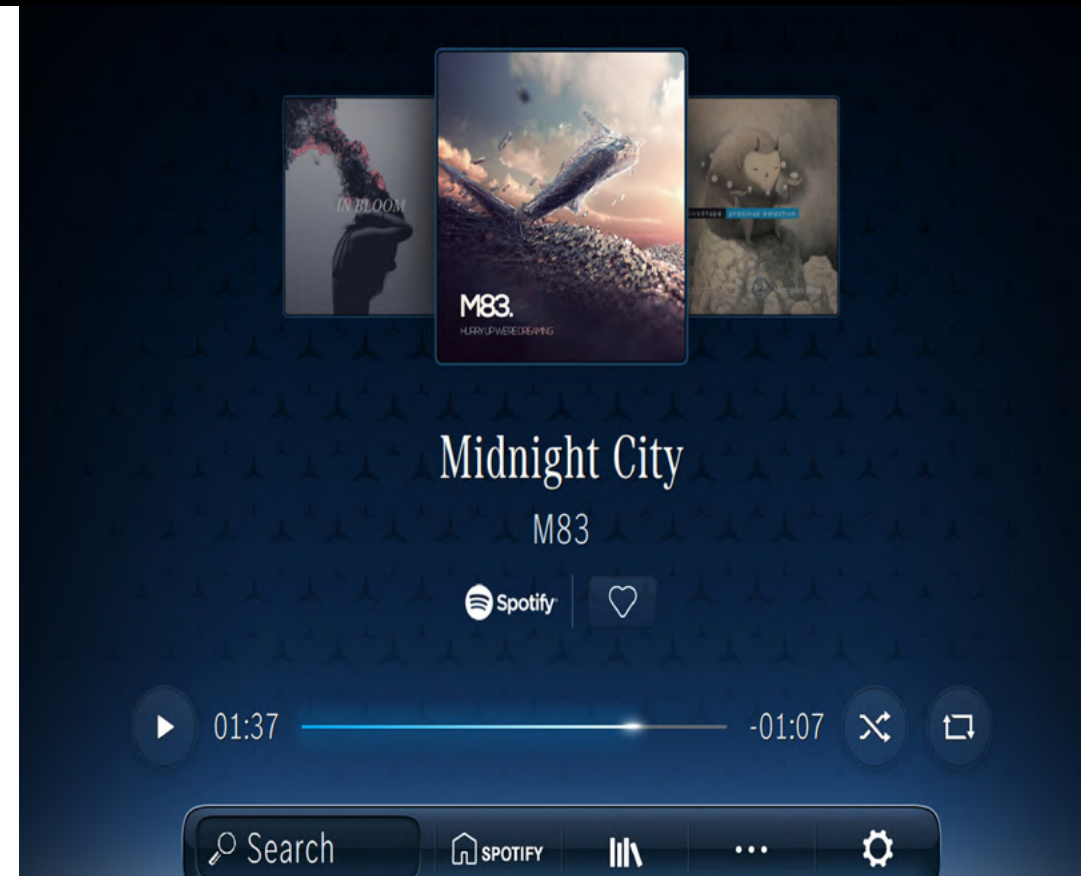
### Natural voice control

“Hey Mercedes.” These two initial words start the natural, intuitive LINGUATRONIC voice control system which comes as standard. It reacts to almost every word. The system can even process indirect speech – the air conditioning will respond, e.g. to “I feel cold” and increase the temperature setting. At the same time the voice control also has learning capability. It attunes itself to your voice and thus understands you better.

### Touch control concept

MBUX offers users maximum freedom for controlling all functions in the way most comfortable and convenient to them. Whether using voice control or intuitive touch functions. The new S-Class comes with the option of a multimedia touch display. There is also a touchpad integrated in the centre console, which responds to single and multi-finger gestures as well as handwriting. Furthermore, the displays can be controlled using Touch Control buttons on the steering wheel.





## Interiors.

### OLED central display

The 32.5cm (12.8 inch) OLED central display transforms your cockpit into a high-tech command center featuring outstanding dimensions and a useful operating area. The excellent color brilliance additionally enhances the interior design. The haptic feedback improves and facilitates intuitive input while driving.

### MBUX Entertainment

Listen to your favourite music at any time: The fully integrated MBUX Entertainment allows you to listen to spotify music via the wireless Smartphone integration using your phone's data.



## Interiors.

### MBUX Navigation

With MBUX Navigation you reach your destination quickly and well informed. You can rely on up-to-date map data including a satellite view, precise real-time traffic information and fast online route guidance. And not least, intelligently networked functions also make your journey safer. The high-quality 3D map display calculates your route in a very short time. At the same time a powerful online system assesses the route taking traffic information along the entire distance into account. As part of the process the communication module of your vehicle continuously exchanges data with this system at short intervals. So you benefit from extremely fast route calculation, even more precise arrival times and the ability to see and select alternative routes at any time. A satellite view is available as well as a conventional map display. The high-resolution images help you to find your way at the destination and in unfamiliar areas.

\*Please read the disclaimer.



## Interiors.

### Extended MBUX functions

Create an emotional bond - a vehicle becomes your vehicle. Because the extended MBUX functions adapt to you. Say “Hey Mercedes” and MBUX awaits your wishes and keeps learning thanks to an online connection. Personal profiles, predictive functions completely redefine what digital networking means.

### MBUX High-End Rear Seat Entertainment System

Enjoy first-class entertainment via two fully integrated high-resolution 11.6-inch displays. Even in the rear, this gives you the full MBUX experience with direct access to vehicle functions.

## Interiors.

### MBUX rear tablet

Lean back comfortably and yet retain control with the MBUX rear tablet. Like with a remote control, you can access the MBUX multimedia system for example and control comfort equipment. With the full-fledged 7-inch tablet you can also use the internet or Android apps.

The features of the tablet:

1. WiFi-enabled tablet with
  - 7-inch (17.8 cm) high-resolution display (1280 x 800 pixels)
  - Headphone connection via Bluetooth or 3.5 mm audio jack
  - Docking station with charging function in the centre armrest
2. MBUX remote control of the central display
3. Direct access to available equipment:
  - MBUX multimedia system with media
  - Display of the distance to the set destination incl. arrival time
  - Rear compartment air conditioning system, in conj. with THERMOTRONIC automatic climate control in the rear or seat climate control in the rear
  - Seat massage, in conj. with Rear Seat Comfort Package
4. Ambient lighting
  - Change from MBUX to Android mode with:
  - Web browser
  - Android apps
5. Mirroring of the rear displays incl. depiction of navigation, in conj. with MBUX High-End Rear Seat Entertainment System

The tablet can also be used as a standalone android tablet as well.





## Interiors.

### Wireless Smartphone Integration

The smartphone integration connects the mobile phone wirelessly with the multimedia system via Apple CarPlay™ and Android Auto™. This gives you convenient access to the most important applications on your smartphone. Has the access to the latest software and data, e.g. for navigation, traffic information, contacts, messaging, telephony, media. The User interface is optimised for driving. Allows control of smartphone functions via voice control.

\*Please read the disclaimer.

### Fingerprint scanner

With the fingerprint scanner you can identify yourself quickly and conveniently. This is because your personal data such as profiles are protected. When you touch the color-illuminated button, the system unlocks access. This is secure and additionally more straightforward than entering a PIN.



## Interiors.

### Reclining Seat

Automobile benchmark for rest and sleeping comfort, absolute relaxation on long journeys. The continuous, comfortable lying surface of the executive seat, together with the electrically extendable legrest, brings you into a pleasant sleeping position. Operate the seat back at the push of a button and enjoy an almost flat incline. The reclining seat comes with backrest adjustment by up to 43.5 degrees and leg rest with support than can be adjusted up to 50°.

### Chauffeur package

With the chauffeur package, the front passenger seat moves significantly further forward providing more foot space in the rear thanks to length adjustment (+ 37 mm) and height adjustment (+ 40 mm), the backrest can also be swiveled forward by 23°. Its EASY ADJUST comfort headrest can also be folded down. The rear passenger on this side also benefits from a better view in the direction of the road. The fold-out footrest behind the passenger seat also gives his legs a well-deserved break.





## Interiors.

### **EASY ADJUST** comfort headrest

The EASY ADJUST comfort headrests with comfortable additional cushions can be adjusted electrically in terms of height and distance to the head. It is advantageous that this distance automatically adapts to a changed backrest guidance. This optimizes comfort and protection in the event of an accident. If you wish, you can fold the headrest on the passenger side.

### **Neck and shoulder heating in the rear**

A true comfort bonus for your rear seat passengers is the heating for the neck and shoulder area integrated into the head restraint cushions. The heat releases tension particularly gently and enhances the sense of well-being - not just on cold winter days.



## Interiors.

### Burmester® 3D surround sound system

Experience more audio performance with exquisite Burmester® sound. The high-quality speakers develop an impressive surround sound. You can optimize this specifically for the front and rear seats and intensify the listening experience. The unmistakable Burmester® speaker covers also enhance the look of the interior.

### Sound personalization

A tailor-made listening experience: with the personalization of the sound system you can easily achieve your perfect sound setup. A setup assistant with innovative algorithms identifies your music preferences together with you and sets the Burmester® sound system to match your requirements. It stores the result in a personal profile.



## Interiors.

### Memory package

The Memory Package provides practical ease of operation - particularly if your vehicle is used by different people. Individual position profiles can store seat and mirror settings for example or the alignment of the steering column. While driving, the ENERGIZING seat kinematics keep you active - and help take the strain off your back.

\*Please read the disclaimer.



## Interiors.

### Multifunction steering wheel in nappa leather

The multifunction steering wheel in nappa leather combines fine materials with innovative ease of use. You can use the touch control panels to control the most important vehicle functions without having to take your hands off the steering wheel.

### Ambient lighting in 64 colors

Stage the interior according to your personal preferences or current mood. The 64 colors of the ambient lighting create fascinating color worlds that alternate dynamically or illuminate several areas with different colors.



## Interiors.

### **THERMOTRONIC automatic climate control**

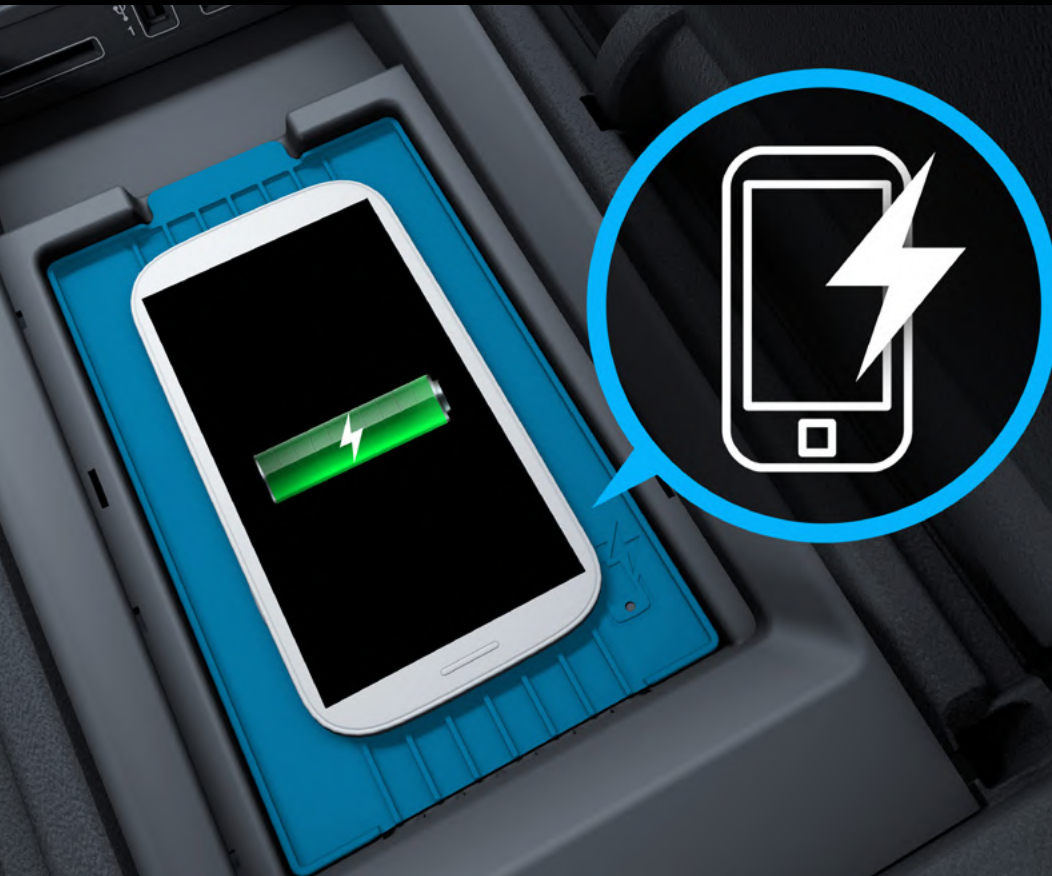
THERMOTRONIC controls the individual temperature in two zones. You and your front passenger can thus set your preferred climate independently of one another. No further adjustments are needed, as the sensitive sensors also register changed conditions such as direct sunshine.

\*Please read the disclaimer.



### **THERMOTRONIC automatic climate control in the rear**

Individual climate comfort for the second row of seats: an additional air conditioning system extends the THERMOTRONIC to four independently controllable zones. Passengers in the rear choose the desired temperature and ventilation intensity. In addition, the heating or cooling effect occurs even faster.



## Interiors.

### Wireless charging system in the front

Driving time becomes charging time: avoid annoying cable clutter and simply place your smartphone in the integral mobile phone cradle in the center console to charge it. Supports all Qi-compatible devices.

### Wireless charging system for mobile devices in the rear

Charge compatible mobile phones conveniently and without cables, even in the rear: the stowage compartment between the seats is also an inductive charging area. All mobile devices which use the Qi standard are supported.



Actual boot image is different as it has a spare wheel under the load floor

## Interiors.

### USB package Plus

Fast power supply for a smartphone or tablet: four additional USB-C interfaces allow you and your passengers to charge mobile devices very easily. All USB ports in the vehicle also support fast charging. Using devices connected in the front, you can also feed data such as your stored music into the multimedia system.

\*Please read the disclaimer.

### Load Compartment package

The Load Compartment package makes it easier for you to load and unload the boot. With HANDS-FREE ACCESS all it takes is a kicking movement underneath the rear apron to open the boot lid. Thanks to the through-loading feature, even bulky items such as skis can be stowed. Remote boot lid closing at the touch of a button also brings added operating convenience.



## Interiors.

### Ambient lighting with projection of brand logo

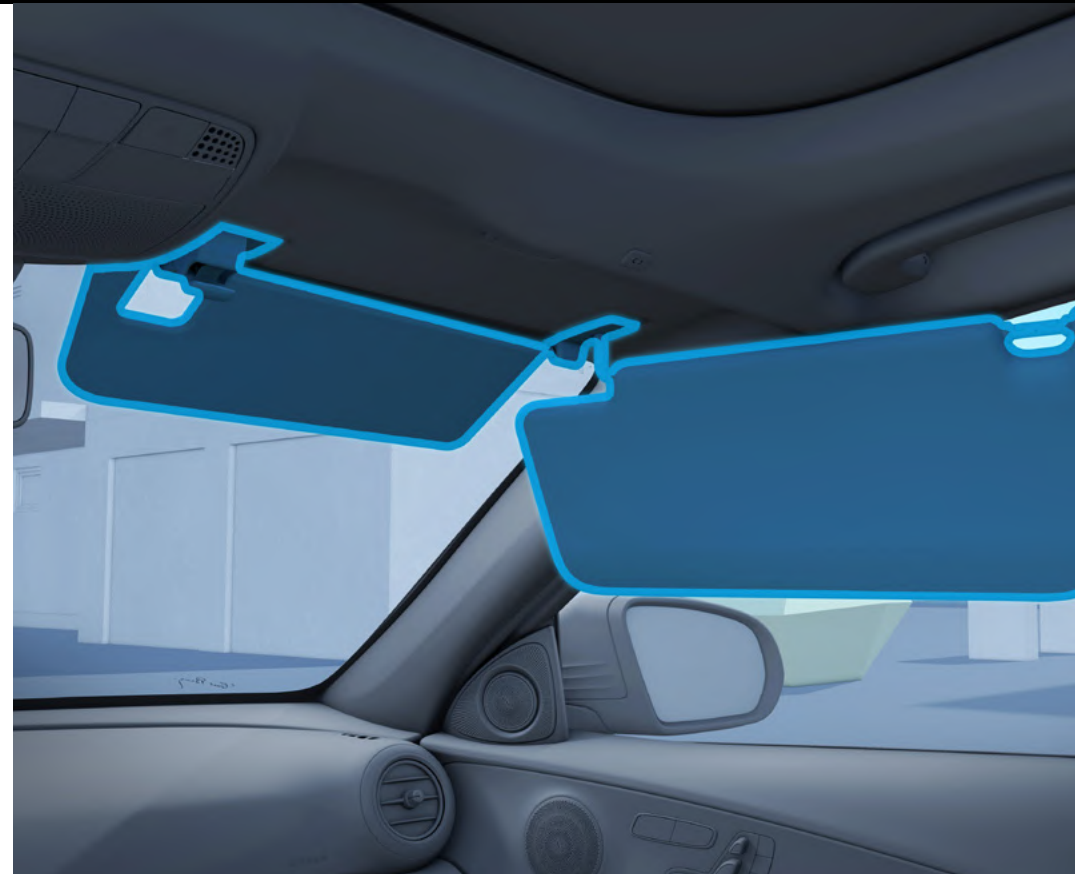
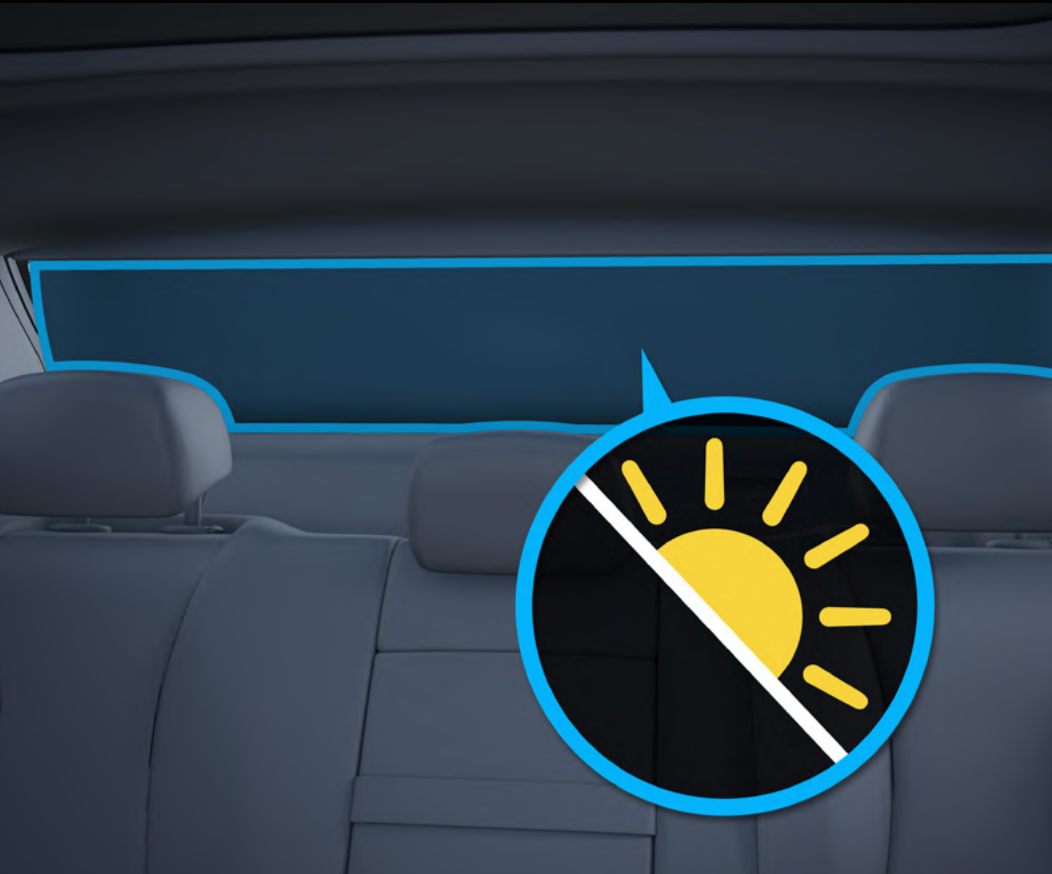
A function which also appeals to your emotions: the surround lighting projects the brand logo using LED technology in the entrance area in front of the driver and front passenger. The not only showcases an attractive eye-catching feature in the dark, but also enables you to get in and out more conveniently with the additional light.



### Illuminated door sill

Even getting in and out becomes an experience in itself. As part of this, the high-quality stainless-steel sill panels are illuminated with striking “Mercedes-Benz” lettering. This shows that you value modern luxury.





## Interiors.

### Sun Protection package

Your all-round protection from direct sunlight and prying eyes. If necessary, you can quickly and conveniently raise the roller sunblinds - and noticeably reduce the heating effect on the vehicle interior. Your view to the outside remains unobscured. It covers your rear back window as well as both the rear passenger windows.

\*Please read the disclaimer.

### Double sunblind

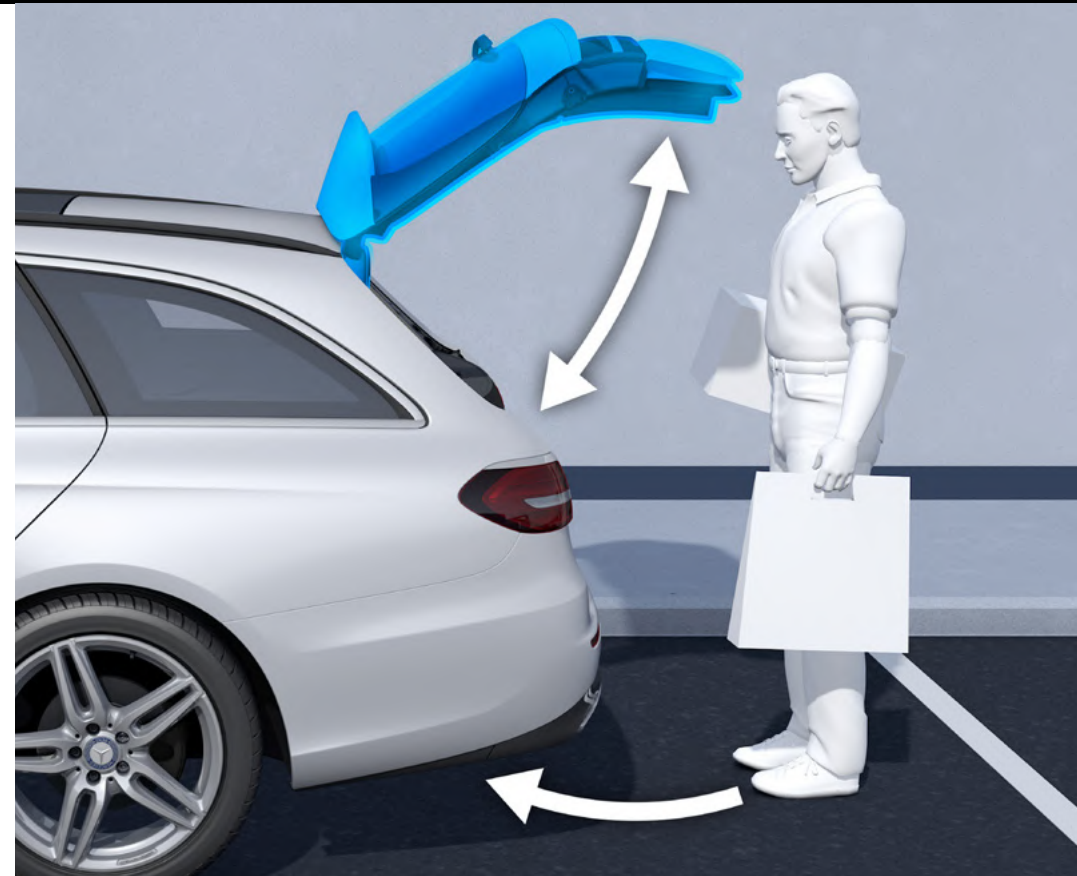
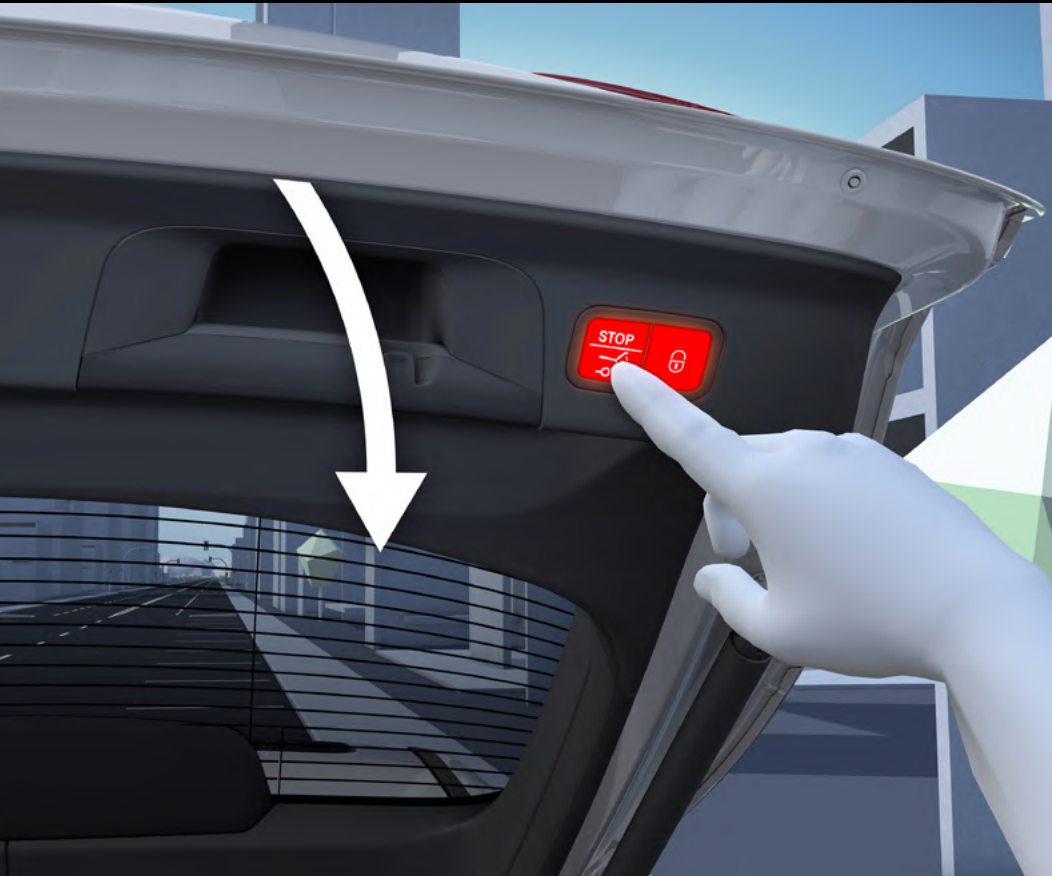
The twin sunblind for driver and front passenger protects you even more effectively against unpleasant glare. Thanks to the additional swivelling and horizontally adjustable sunblinds you can protect yourself against glare from the front and the sides at the same time. This brings noticeable additional comfort, particularly when the sun is low in the sky.



## Interiors.

### **Designer belt buckles in front and rear**

The designer belt buckles lend the interior of your Mercedes an exclusive character down to the finest detail. They have edging in silver chrome and additionally make for an eye-catching feature. The belt buckle illumination pulsates when you are fastening your seat belt and remains illuminated when the vehicle is stationary and traveling at low speed.



## Interiors.

### Remote boot lid closing

Convenient and variable operation: you can open and close the boot lid every easily from the driver's seat, while standing at the boot, or remotely with the vehicle key to make loading and unloading that little bit easier. With the power closing function, a motor draws the boot lid down until it engages, then pulls it smoothly and almost silently shut.

### HANDS-FREE ACCESS

Load up in a relaxed, stress-free manner with HANDS-FREE ACCESS: the boot lid features contactless opening. For this, the sensor area beneath the rear bumper detects a kicking motion with your foot. This is particularly useful when you come back from shopping loaded up with heavy bags.



## Interiors.

### Servo closing

This is what quality sounds and feels like: The servo-closing pulls doors gently and almost silently into the lock. All you have to do is close it until it clicks into place for the first time - your vehicle will do the rest for you.



### Vehicle key in high-gloss black

You can also operate the fully-automatic soft top via the key's unlock button.



## Safety and Assistance systems

### Driving Assistance package

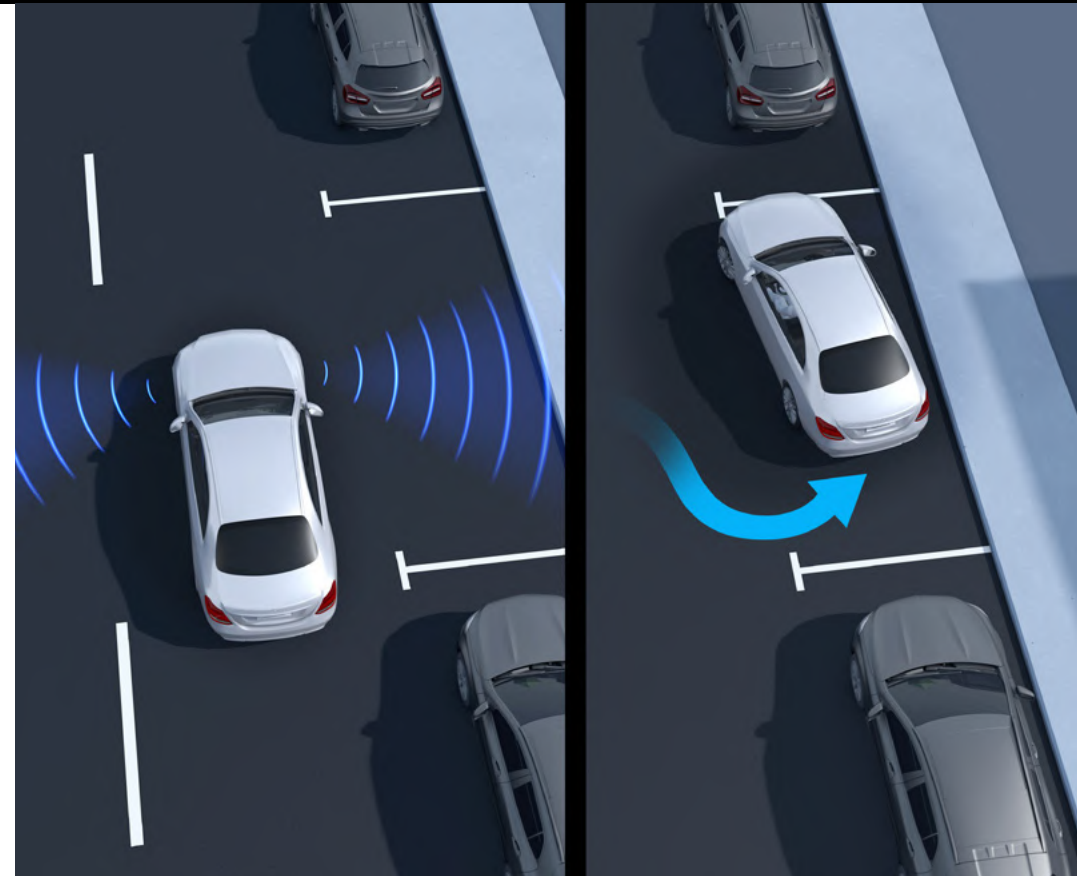
Bringing you to your destination reliably, safely and relaxed: thanks to modern, intelligently networked sensor systems you enjoy the various advantages of partially automated driving. Numerous driver assistance systems support you as the situation requires, warning you if there is a risk of collision and intervening if necessary - for the benefit of all road users.

### Active distance assistant DISTRONIC

The Active Distance Assist DISTRONIC relieves and supports you in both flowing and slow traffic. The intelligent system regulates the distance to the vehicle in front for you, adapts the driving speed to road events and takes on the strenuous follow-up driving in traffic jams or traffic jams for you.

### Active Lane Keeping Assist

The Active Lane Keeping Assist is an attentive observer: if you unintentionally leave your lane or get dangerously close to other road users, the system can bring you back into your lane with the aid of a steering intervention. If you leave the lane nevertheless, an additional warning follows in the form of a steering wheel vibration.



## Safety and Assistance systems.

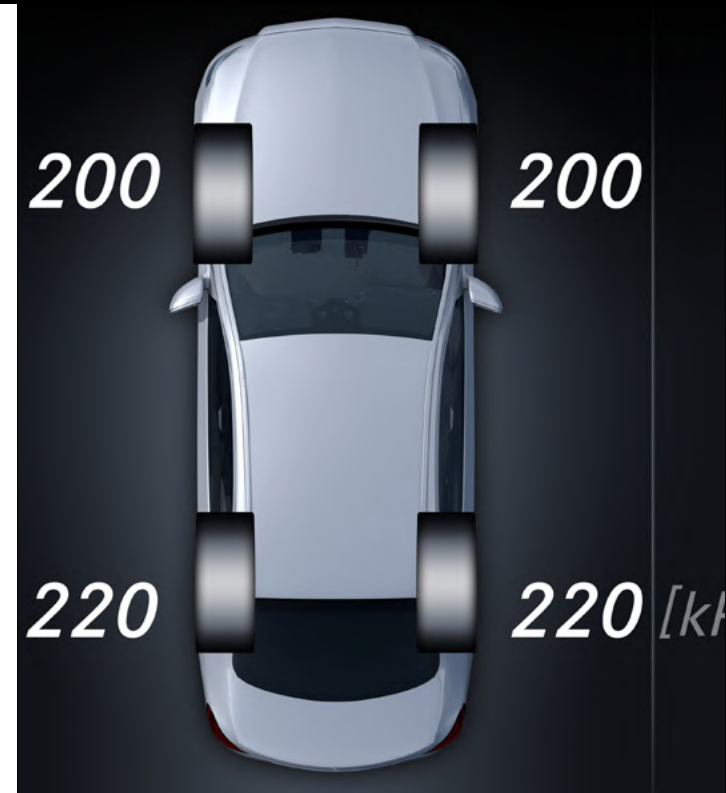
### Parking Package with 360-degree camera

Exclusive parking service with all-round view: the Active Parking Assist with PARKTRONIC and 360 ° camera detects free parking spaces as you drive past. After selecting a parking space you can enter it effortlessly thanks to dynamic visualization and acoustic feedback - or have the vehicle enter the parking space with assistance.

\*Please read the disclaimer.

### Active parking assistant with PARKTRONIC

Transform the stress of narrow parking spaces into confident serenity. Active Parking Assist with PARKTRONIC can not only find parking spaces - it also supports you when parking and leaving. It assists you with steering and, in vehicles with automatic transmissions, also with accelerating, braking and changing gears.



## Safety and Assistance systems.

### Pedestrian protection with active bonnet - more protection for pedestrians

If a pedestrian collides head-on with a vehicle travelling in the speed range 25 to 55 km/h, a sophisticated sensor system controlled by intelligent algorithms will trigger various actuators. These are pyrotechnical elements that raise the bonnet in the hinge area by about 80 mm. The increase in distance between the bonnet and the components inside the engine compartment creates an additional deformation space that, in certain accident situations, can help reduce the risk of injury to pedestrians.

### PRE-SAFE®

PRE-SAFE® can prepare the occupants for a side-on collision and reduce the risk of injury. Like a bodyguard, it pushes the driver or front passenger away from the danger zone towards the inside.

### Tire pressure monitoring system

The system monitors the tire pressure for you and provides you with a warning in the event of a drop in pressure. This way you can react more quickly to this hazardous situation. Too low a tire pressure can also result in longer braking distances. When the control system notifies you, you should top up the air quickly. Correct tire pressure additionally increases mileage.

# Paintwork.

---

designo Diamond White Bright

---

Onyx Black

---



---

Nautic Blue

---

High Tech Silver

---



---

Graphite Grey

---





## Upholstery and trim.

---

### Upholstery

---

Black

Sienna Brown

Macchiato Beige

---



---

### Trim

---

Decorative elements wood poplar anthracite open-pore

---





## Alloy.

---

48.3 cm (19 inch) light alloy wheels in a multi-double spoke design, aerodynamically optimized, painted black and with a high-shine finish

---

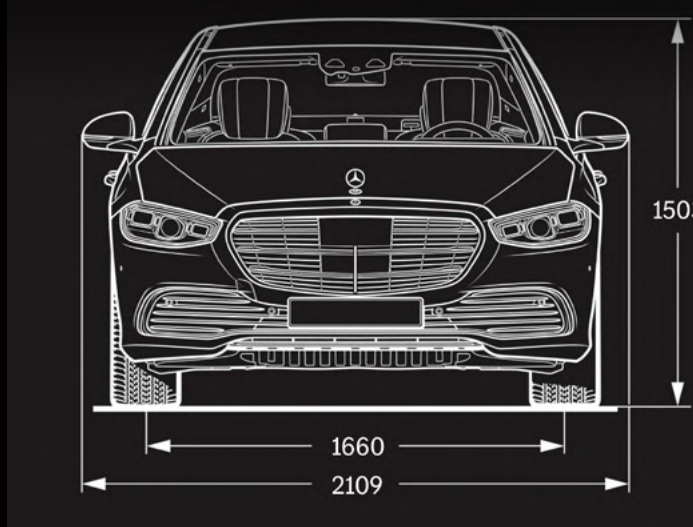
## Technical data.

	<b>S 350d</b>	<b>S 450 4MATIC</b>
No. of cylinders/arrangement	L6	L6 with 48V
Total displacement in cc	2925	2999
Rated output in kW (hp) at rpm	210 [286] @ 3400 - 4600	270 (367) + 16 (22) @ 5500 - 6100
Rated torque in Nm at rpm	600 @ 1200 - 3200	500 + 250 @ 1600 - 4500
Transmission	Automatic	Automatic
Acceleration from 0 to 100 km/h in sec	6.4	5.1
Top speed, approx. in km/h	250	250

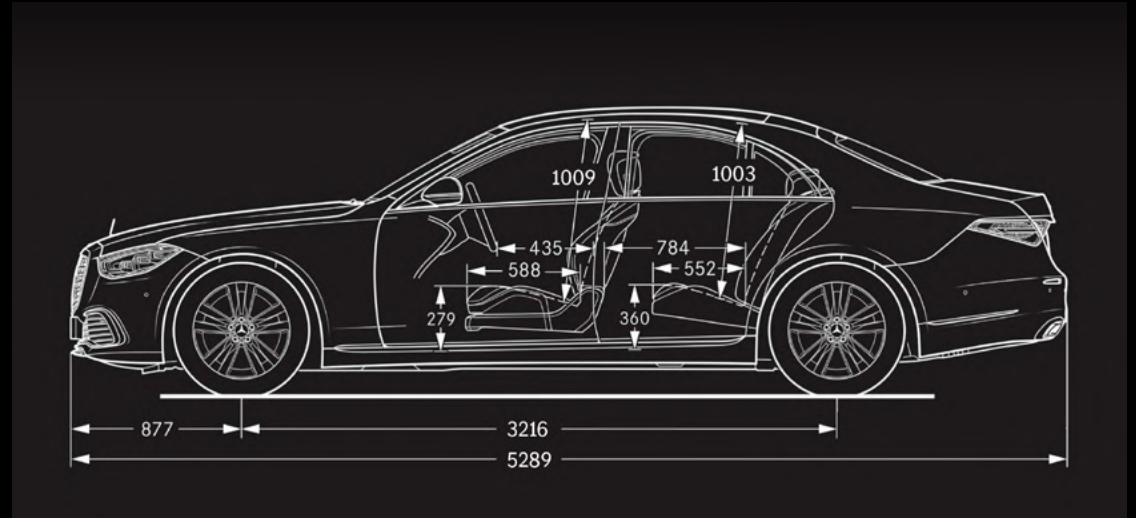
# Dimensions.

Front

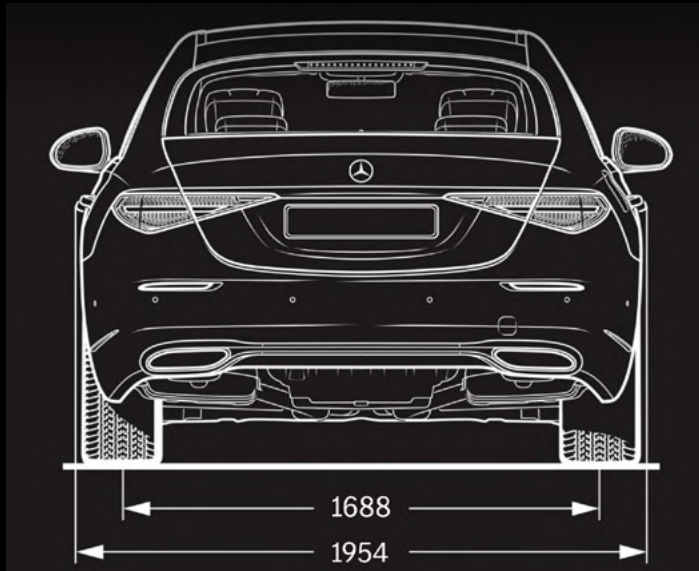
[Test Drive](#)



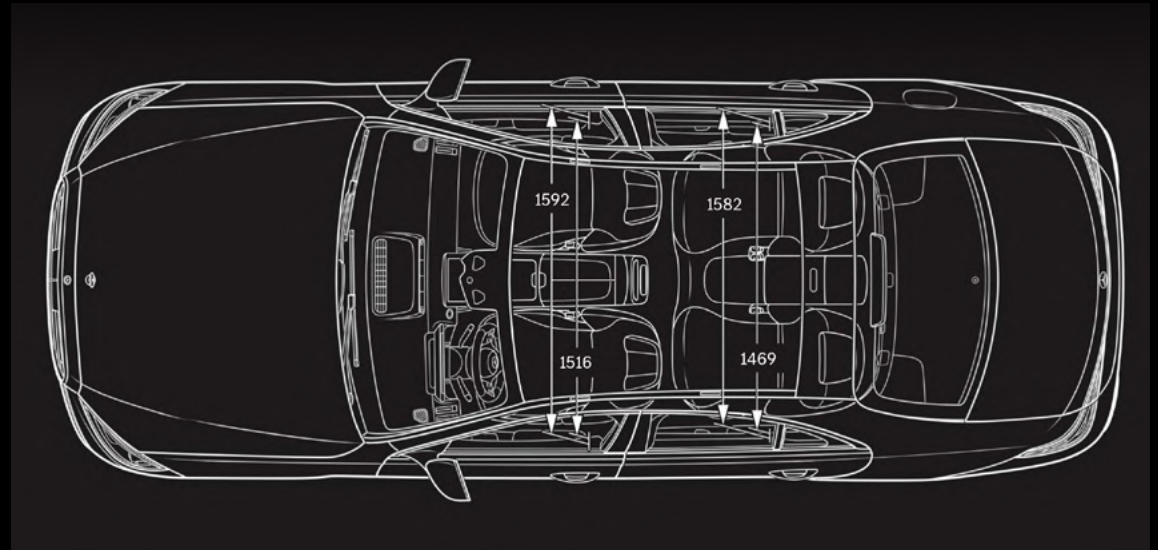
Side



Back



Top



## STAR EASE

MAINTENANCE PACKAGE



## My Mercedes. My Service.

You enjoy life. We'll take care of your Mercedes.

The best or nothing! This statement conveys how Mercedes-Benz aspires to develop and build highly desirable, top-class vehicles. The same passion, pledge and commitment apply to the Mercedes-Benz Service too. The bouquet of world-class After-Sales products will not only attend to every need of your Star but will also redefine the concept of ownership experience with a focus on providing end-to-end customer delight. After all, your Star deserves nothing less than the best.

### STAR EASE

#### Delivering the best-in-class value

Servicing your Star does not get any better than this. With the STAR Ease Maintenance Packages, pay a defined cost of maintenance based on the model, contract period and mileage and say goodbye to spending on service every time. Plus, enjoy exclusive features like priority handling, shorter waiting time and quicker processes.

### Advance Assurance Program

#### Extending your warranty coverage

With Advance Assurance Program, experience complete peace of mind. While this Extended Warranty Program kicks in the moment your standard 3 years warranty comes to an end, it can be extended further up to 6 years at a nominal price. Also, it comes with a bouquet of privileges for a worry-free time with your Star.



Mobilo

## My Mercedes. My Service.

### MOBILO

#### Providing you 24x7 mobility support

Your vehicle comes with Mobilo which provides round-the-clock on-road assistance service. Mobilo comes as a standard for 3 years and can be extended further up to 8 years at a nominal cost. This service offers privileges like vehicle towing facility, replacement vehicle, hotel accommodation, just to name a few.



### Digital Service Drive

#### Ensuring convenience and transparency of service.

Servicing your Star is the last thing you will ever have to worry about. We provide transparent, convenient and hassle-free service. Our customer-friendly service features work around your busy schedule so that you have one less thing to focus upon.



\*Available at select locations only

## My Mercedes. My Service.

### Premier Express\*

Because we value your time as much as you do.

Life gets busy and so we have designed Premier Express, our vehicle care service to help you get in and out quickly. While the visit will be brief, the service offered by our technicians will be comprehensive and complete. All to ensure your Mercedes-Benz is running for miles to come.

## 2 Years Warranty



\* Terms & Conditions Apply

### Mercedes-Benz Genuine Parts

Now with 2 years\* of warranty

Mercedes-Benz GenuineParts are crafted to the state-of-the-art standards of Mercedes-Benz, protecting your vehicle's performance while maintaining the style, comfort and safety, for the years to come. Also, they come with a warranty of up to 2 years, ensuring you a peaceful ownership experience with your Star.



## My Mercedes. My Service.

### **Mercedes-Benz Approved Tyres and Rims** Ensuring every ride is a safe and joyful one

Maximise the safety and comfort of your Star with Mercedes-Benz approved tyres and rims. While the Mercedes-Benz approved tyres are designed to optimally match your car's performance, the Mercedes-Benz approved rims are designed to lend an exceptional style to the exterior of your Star and are also engineered for optimal performance.



### **Mercedes-Benz Genuine Chemical Products** Because your Star deserves nothing but the original

Mercedes-Benz Genuine Chemical Products are specially tested for compatibility with the materials in our cars and meet the high quality standards. Also, our products have been approved under Daimler AG's strict, self-imposed environmental norms. Now with Mercedes-Benz Genuine Chemical Products, experience a whole new world of superior products that support throughout the car's life cycle.



**Mercedes-Benz India Private Limited:** E-3, MIDC Chakan - Phase III, Chakan Industrial Area, Kuruli & Nighoje, Tal: Khed, Pune - 410 501 (India)  
Toll free No.: 000800050 1888. e-mail: cs.ind@cac.mercedes-benz.com, **website: [www.mercedes-benz.co.in](http://www.mercedes-benz.co.in)**

**Please note:** This brochure is intended for general information, description and illustration of the Product including optional functions and equipment and may not be specific to a Product since specification of a product may change from time to time. Optional features, functions and equipment etc. may not be present in the Standard or Variant Product or Special Edition Product. Further, Standard specifications of a product may also vary from time to time. Colours may differ from those shown in pictures in the brochure. Mercedes-Benz India reserves the right to make changes without prior notice, in design, colours, materials, components, equipment, specifications, features, functions, make and models etc. The information given in this brochure shall be regarded as accurate at the time of launch and may vary thereafter due to any developments or any other reason. Interested customers should reach out to the Authorised Franchise Partner for further information on the exact specifications, features of the product.

Images shown are for representation purposes only. Some of the vehicles in the Brochure are left hand drive wheel. However, Mercedes-Benz India only manufactures and sells vehicles as per the applicable motor vehicle regulations in India. All vehicles sold by Mercedes-Benz Authorized Franchise Partners shall be with right hand drive wheels only.

All title, ownership rights and intellectual property rights in and relating to this brochure/magazine or publication material or any copies thereof including but not limited to copyright, logos, names, trademarks, service marks, design, text, images, links, concepts and themes are owned by Daimler AG and/or its subsidiaries collectively or used under authorised license by the Daimler AG. Any reproduction, transmission, publication, performance, broadcast, alteration, license, creation of derivative works or other use in whole or in part in any manner without the prior written consent of Mercedes-Benz India Pvt. Ltd is strictly prohibited.

Please note that certain services are offered free of cost for a period of three (03) years and may be chargeable at the expiry of three (03) years from the date of activation of such services. If you wish to continue using those services, you may renew the same through Mercedes Me Store (as and when it is available). Please get in touch with your preferred Franchise Partner for more details.

Mercedes-Benz cars: The S-Class meets Bharat Stage VI equivalent emission norms.

CIN - U34102PN1994PTC083160