

Audi A8 L

Future is an attitude



Content

The Audi A8 L	Future is an attitude	02
	Overview	03
Engine and performance	Performance	04
	Performance features	06
Equipment	Exterior	07
	Exterior features	08
	Interior	09
	Interior features	10
	Technology and infotainment	13
	Technology features	14
	Safety and assistance	16
	Safety features	17
Optional features	Exterior colour options	18
	Interior colour options	19
	Audi exclusive	20
Others	Technical data	21

Future is an attitude

At Audi, we believe that the future has the potential to transform the way we move. That's why, we make our cars with a vision to make your experiences more meaningful, and technology even more intelligent. Every Audi is a step into the future. Because for us, Future is an attitude.



The Audi A8 L

The Audi A8 L is designed to offer next-level comfort. It redefines luxury with an ultra-spacious rear, multi-adjustable power seats, and an advanced driver assist system. The Audi A8 L isn't just a car, It is an experience reserved for a select few.

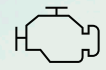


Performance that leaves a lasting impression

The Audi A8 L is a rare blend of athleticism and ride comfort. Powered by the potent turbocharged 3.0 L TFSI engine that puts out an impressive 340 hp power with 500 Nm torque, the Audi A8 L delivers a compelling drive. An unmatched experience accentuated by the comfort of optimized handling thanks to the dynamic all-wheel steering that offers enhanced maneuverability and increased stability.



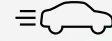
Performance



Power (hp)
340



Torque (Nm)
500



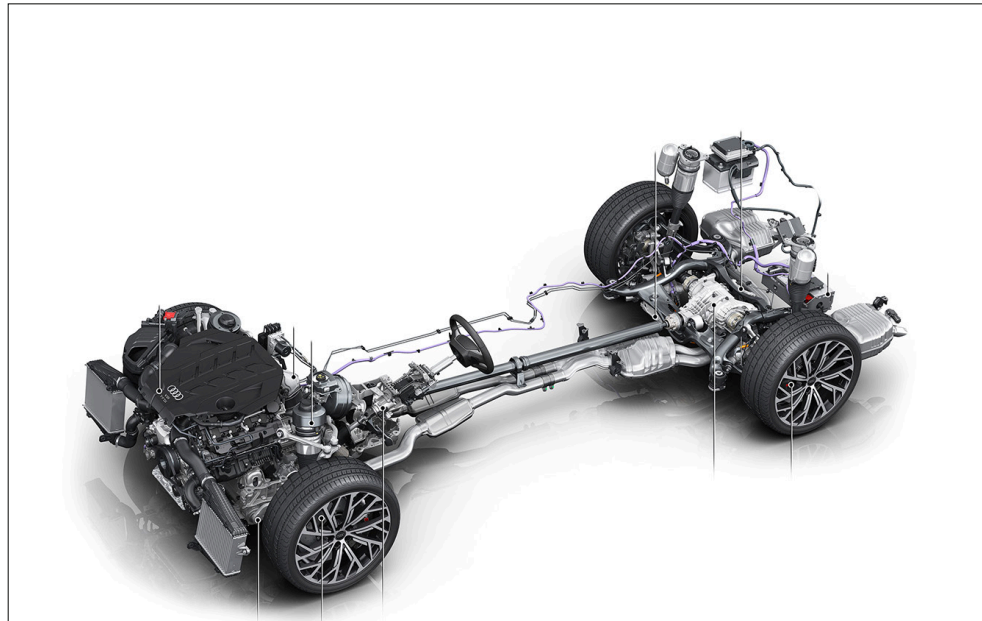
Engine Type
3.0 L TFSI, 48V Mild Hybrid



Acceleration (0-100 kmph)
5.7 seconds

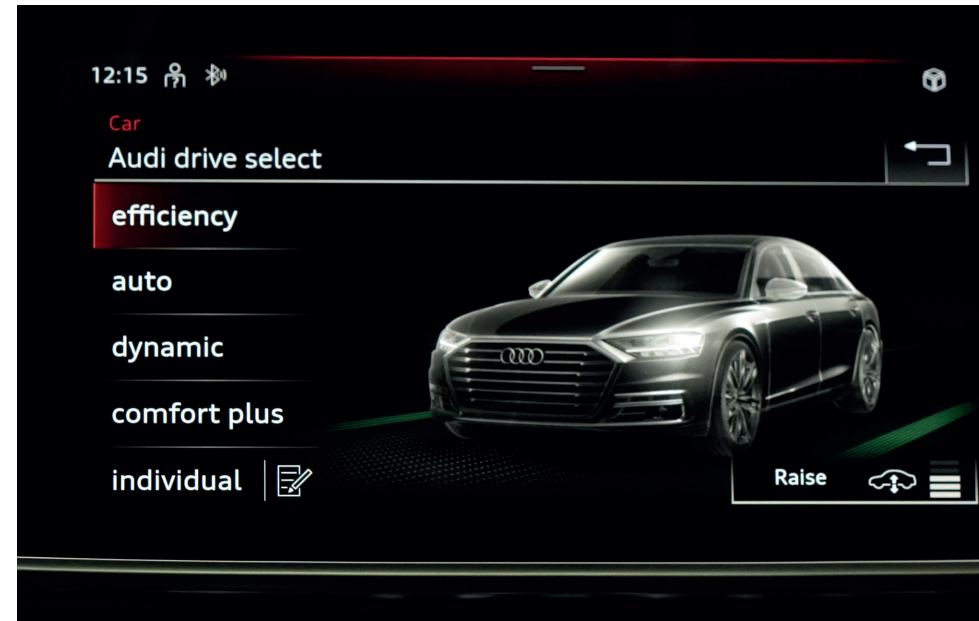


Performance features



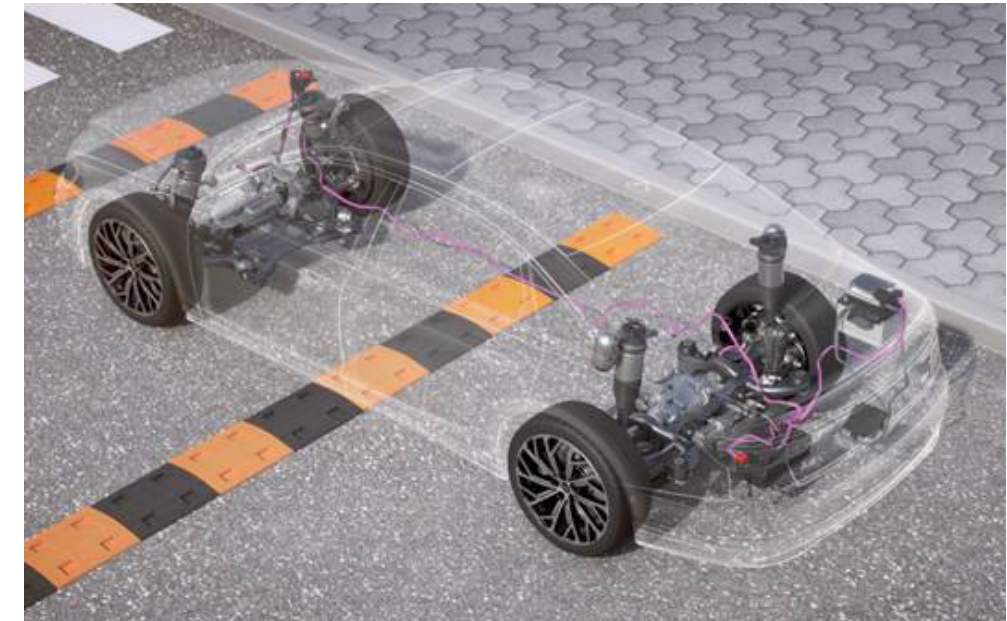
quattro

Audi's quattro All-Wheel Drive Technology has no equal. By intuitively sending power to all four wheels, quattro offers legendary grip while significantly enhancing handling and cornering performance.



Audi drive select

Alter your approach as per the driving situation with Audi drive select. A holistic technology that allows you to change the nature of your Audi A8 L. Customized throttle response, suspension dampening and steering feel, ensure precise control no matter where you are driving.



Predictive active suspension

The overall system of electromechanical actuators and adaptive dampers actively dampens the vehicle body and wheels over a wide frequency spectrum. The elevated entry function lifts the vehicle by 50mm when the doors are opened, making it easier to enter and exit the car.

The predictive function detects road's unevenness in front of the vehicle and adjusts the suspension to increase ride comfort through early predictive control. The integrated curve tilt function reduces the lateral forces acting on people sitting in the vehicle in the event of sharp corners by virtually banking the car.

A picture of elegance

The Audi A8 L manifests the Audi's sharpened design language with a longer wheelbase and a new single frame grille with chrome angles. It's wide build with a sporty roofline defined by the panoramic sunroof, sets the benchmark for luxury sedans. The glossy chrome on the front, rear and the door handles accentuate its sleek contour, while the dynamic rear lights command all the attention.



Exterior features



Wheels that attract attention

Striking R19 polished graphite grey alloy wheels give away your penchant for style with their eye-catching 5-arm turbine design.



State-of-the-art Lighting

HD Matrix LED Headlights with dynamic light display and futuristic indicators, complemented by Digital Matrix LED Headlamps stand out as distinctive design elements.

The uniqueness of the digital matrix LED headlights is demonstrated when the vehicle is stationary with the extended light staging, which can be experienced not only in the signature elements of the headlights and rear lights themselves, but also as a dynamic projection in front of the vehicle.

Five dynamic projections are available for the special customization of the “coming home/leaving home” presentation, which can be conveniently selected independently of one another via the MMI touch response.

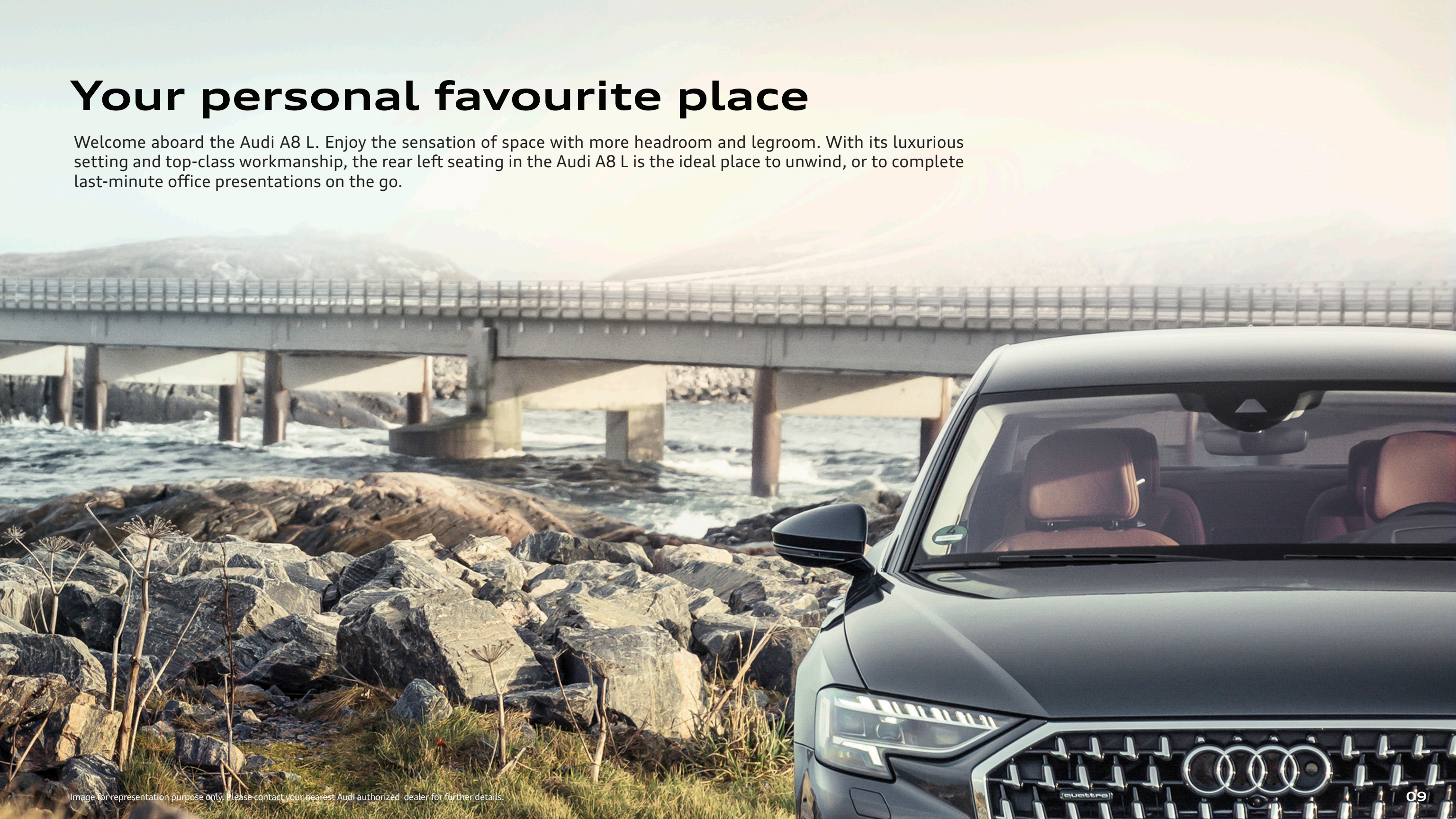


OLED technology

Depart in style with a large and precise illumination offered by the OLED technology in the rear. Discover defined lighting with animation effects in coming home or leaving home scenarios, dynamic turn indicators, and proximity detection. Also enjoy greater personalisation with customizable tail-light signatures and greater variability with signature changeover when you choose “dynamic” under drive select.

Your personal favourite place

Welcome aboard the Audi A8 L. Enjoy the sensation of space with more headroom and legroom. With its luxurious setting and top-class workmanship, the rear left seating in the Audi A8 L is the ideal place to unwind, or to complete last-minute office presentations on the go.



Interior features



Power adjustable front seats with memory

Experience exclusive comfort in an exquisite ambience with power adjustable front seats with memory.

Valcona leather upholstery

Create an ambience of well-being with high-quality Valcona leather upholstery. Treat your senses with a demonstration of exquisite craftsmanship.

Ambient lighting package plus

Experience comfort in a whole new light with ambient Lighting tailored to your exacting standards. Explore over 30 colour options with our ambient lighting package plus.

4-zone air conditioning system

Individual feel-good climate for the occupants ensure your journeys are a statement in ultra-luxury. The system is operated on the intuitive display with touch response or via the rear air-conditioning controls with touch operation.

Interior features



Air ionizer & aromatization

You don't have to step out for fresh air. Fresh air comes to you with the advanced air ionizer. Superior aromatization technique ensures that the cabin is always pleasant smelling.



Intuitive, integrated & universal

Experience next-generation convenience with controls of climate, seating and comfort functions at your fingertips with a rear seat remote. Also, keep yourself thoroughly entertained with the integrated rear seat infotainment system that can be used to stream videos and other applications.



Rear seat relaxation package

The individual contour comfort seats with ventilation, massage, and reclining seat functions, offer maximum comfort through a wide range of adjustment options in the rear. In addition, the electrically extendable, heated foot massage function for the rear left seat offers a delightfully relaxing experience.

Interior features

Matrix LED reading lamps

The Matrix LED reading light has seven LEDs on each side, that provide optimum illumination and are placed in the center of the rear and are tailored to the seating positions of the rear seat. The passenger can precisely control the brightness, size and focus of the light cone with the rear seat remote control.

Power latching on the doors

The servo closure ensures low-noise and reliable closing of the vehicle doors. All you have to do is let the doors close gently and the servo-lock automatically closes doors that are not fully engaged.

Audi exclusive cool box

- › Storage compartment for two one-litre bottles (stored horizontally) as well as additional storage compartment for cans and glasses
- › With compressor cooling technology; temperature setting - 6 °C or + 6 °C
- › Interior lighting in LED technology

Comfort key with sensor controlled luggage compartment release

The luggage compartment lid can be opened electrically by pressing the button on the vehicle key or in the driver's door, or by using the soft touch button in the luggage compartment lid handle. Closing the luggage compartment lid is just as easy and convenient as opening it: simply press the button on the inside of the luggage compartment lid, in the driver's door or on the vehicle key. In combination with the convenience key, a foot gesture (kicking motion) at the rear of the vehicle is all that is required to unlock, open and close the luggage compartment lid.



Stay ahead, stay connected

The Audi A8 L comes with cutting-edge technology. Standard Audi features such as Audi virtual cockpit and the Audi smartphone interface ensure that controls of your car are at your fingertips while other features such as Audi phone box with wireless charging and Rear Seat Entertainment System add a new dimension to your comfort.



Technology and infotainment



Rear seat entertainment screens

The system consists of 2 screens that are installed on the back of the front seats. A wide range of content (video streams, games, applications, etc.) can be mirrored from the various customer devices (smartphones & tablets).



Audi virtual cockpit

The driver seat in the Audi A8 L is literally the lap of luxury, enhanced by the Audi virtual cockpit - a state-of-the-art digital instrument cluster that displays relevant information on demand. The 32.24 cm display offers full HD quality. The display can be customized as per the driver's requirements to showcase speed, maps, radio, media information and much more.



Bang & Olufsen advanced sound system with 3D sound

Experience the finest sound reproduction with a total output of 1,920 watts via 23 loudspeakers including front and rear 3D sound speakers, centre speaker and subwoofer - each with its own separate amplifier and exclusive aluminum loudspeaker covers, as well as sophisticated neodymium magnets. Enjoy extremely detailed sound in every seat with a centre speaker and 2 automatically extending acoustic lenses on the instrument panel.



Dual Screen MMI navigation plus with MMI touch response

Navigate, communicate, obtain information or just enjoy the wide range of infotainment options using the dual screen MMI navigation plus with MMI touch response. This intuitive touch-based system provides haptic feedback and a host of functions, ranging from navigation on a 3D Map to other control functions. It can be operated via the touch display, voice control with natural language interaction and enhanced character recognition for an equally sensational experience.

Technology and infotainment

Adaptive windshield wipers with integrated washer jets

- › Adaptive windscreen wiper system for optimum visibility irrespective of the weather, even during wiping
- › Cleaning fluid is sprayed directly in front of the wiperblades and wiped away almost instantly
- › Heated with rear seat remote

Tyre pressure monitoring system

Sensors monitor the set tyre pressures throughout the journey; also works with winter wheels supplied by Audi. Visual and acoustic warning if the pressure drops in one or more tyres. Status of the air pressure and temperature in the individual tyres is displayed in the MMI system throughout the journey.

Audi smartphone interface

Get control of your mobile phone on your Audi smartphone interface and select apps from your mobile phone directly on the car's MMI touch response display. The integrated approach ensures that the visual display and menu structure is the one you are familiar with.

Audi phone box with wireless charging

The Audi phone box with wireless charging connects cell phones to the car antenna wirelessly by near-field coupling. This allows it to deliver appreciably better reception quality. The box also enables inductive charging based on the Qi standard, provided that the mobile device supports it. The current flows from a coil in the base of the box to the receiver coil in the smartphone.



Safety first

The Audi A8 L has been designed with the express purpose of looking out for you. It comes loaded with state-of-the-art safety features including intuitive technology like the Audi pre sense basic and park assist plus with 3D surround view camera. Now, driving will be more composed and more relaxed.



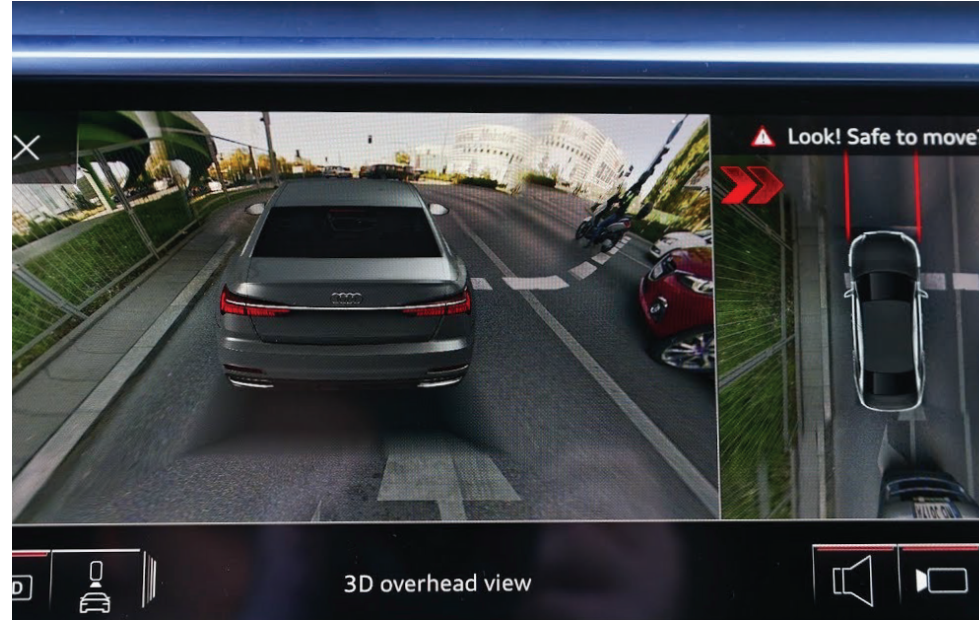
Safety features



Audi pre sense basic

Audi pre sense basic initiates preventive safety measures for occupants as soon as it recognizes a critical driving state.

- › It intervenes if the Electronic Stabilization Control (ESC) sensors detect skidding or hard braking
- › It activates the seat belts pre-tension system for driver and front passenger electrically, to reduce their forward or lateral movements
- › The side windows and sliding sunroof are automatically closed. In addition, the hazard warning lights are activated to alert the traffic that is following behind



Park assist plus with 3D surround view camera

Park like a pro with a 3D surround view camera that facilitates easy maneuvering. Get perspectives from different angles on your MMI interface and forget the hassles of having to park at a tight spot.



8 Airbags

The Audi A8 L leaves no stone unturned to ensure the enhanced safety of your loved ones. 8 Airbags have been placed in the front, rear and sides of the car. You can also opt for 9 or 10 airbags for added protection.

Exterior colour options

Pick the ideal shade for your Audi A8 L from our exclusive range of colours.



Terra grey



District green



Firmament blue



Floret silver



Glacier white



Manhattan grey



Vesuvius grey



Mythos black

Interior colour options

Choose the best shade for interiors that match your taste



Mother of pearl beige



Cognac brown



Sard brown



Black



Your Audi. your design.

Audi exclusive

Your Audi is an extension of your personality. Give it a definite and distinct identity with an exclusive design. Explore 55 exterior colours, 8 interior colours and 7 options in wooden inlays. Seize the opportunity to stand out with infinite possibilities for personalization.



Technical details

Engine
55 TFSI quattro tiptronic

Displacement (cc)
2995

Power (hp at rpm)
340 at 5000-6400

Torque (Nm at rpm)
500 at 1370-4500

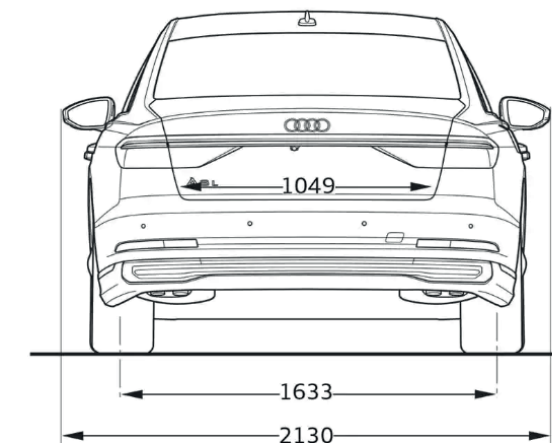
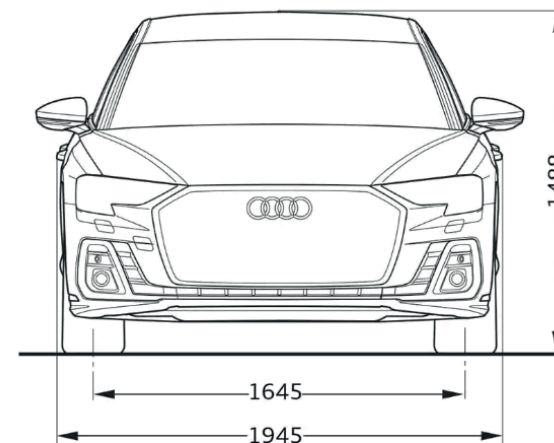
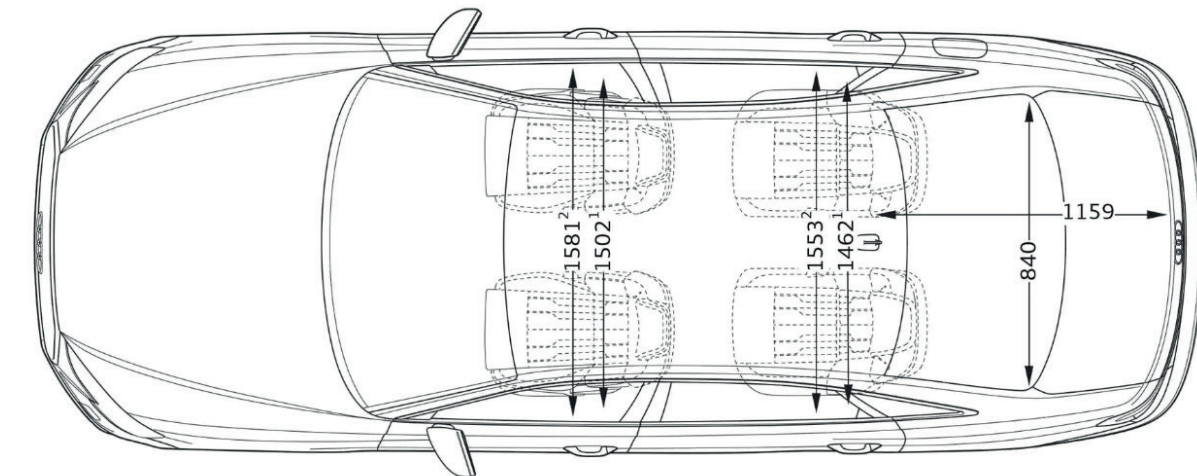
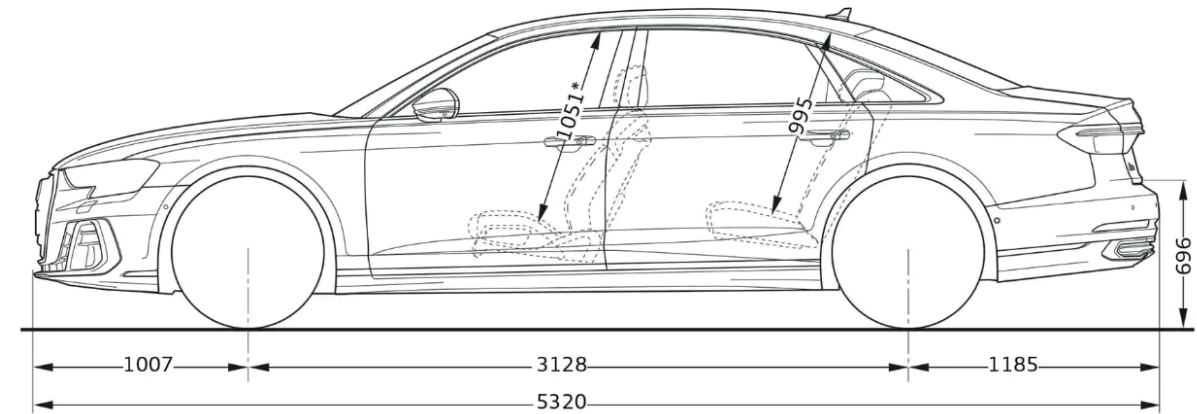
Acceleration (0-100 Kilometers per hour)
5.7

Top Speed (Kilometers per hour)
250

Drive Type
quattro

Dimensions LxWxH (mm)
5320 x 1945 x 1488






Wheel Base (mm)
3128



Audi Vorsprung durch Technik

Audi India

A division of
ŠKODA AUTO Volkswagen
India Private Limited
Regd Office:- E1MIDC, Phase 3,
Village Nigoje, Kharab Wadi,
Chakan, Pune, Maharashtra – 410501
CIN: U70102PN2007FTC133117
www.audi.in

 audiin  Audi India  AudiIN  Audi India  Audi India | **Audi Approved :plus** | my**Audi** Connect

Global Car Model, accessories and vehicle configuration are shown for representation purpose and may vary from vehicles supplied in Indian Market. The features, Specifications, accessories, colours may vary and are subject to change without any prior notice some of the services listed are not available in all countries. The model and colours of the car illustrated are equipped with optional features for which an extra charges may apply. Images clicked in country that follow left hand drive. Details concerning the delivery specifications, appearance, performance, dimensions and weights, fuel consumption and running costs of the vehicle were correct to the best of our knowledge at the time of Printing. No liability is accepted for errors and printing errors. Not to be reproduced, including in part, without the written approval of Audi India (A Division of SKODA AUTO Volkswagen India Pvt. Ltd.)